

DESCRIPTION

SR/KWRD are expansion boxes for diffusers KW/RD, KW/RDM. They stabilize the airflow and ensure uniform air supply to the diffuser. Expansion boxes connect diffusers with ventilation installation. They are made of zinc-coated sheet, joint by non-welded Click-Clock connection. In standard expansion boxes are equipped on the ferrule with machine crimped rubber gasket. The expansion box may be provided with a mounting bar, which allows the diffuser assembly with a single bolt through the hole placed in the central part of the diffuser.

Expansion boxes can be connected to the ventilation installation through the side or top.

Boxes can be thermally and acoustically insulated from the inside by K-Flex rubber mat.

Upon customer's request we can make other types of expansion boxes accordingly to provided drawings.

ORDER REFERENCE

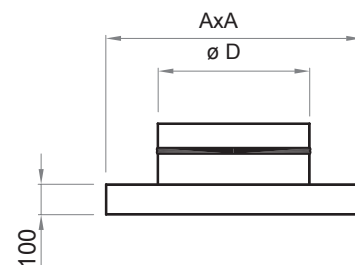
SR/KWRD-K-300-P-l-g	-	p
SR	diffuser type	
K	size	
-	no throttle	
P	perforated damper with adjusting rod	
-	insulated	
l	insulated	
-	non-insulated	
g	top connection	
-	side connection	
	Additional accessories	
p	P - mounting crossbar	

SR expansion box
PS spiro transition

STANDARD SIZES

size	300	400	500	600
A [mm]	295	395	495	595
H [mm]	260	300	350	420
Ød [mm]	158	198	248	313
ØD [mm]	295	395	495	595
i [mm]	130	150	175	210

PS - Spiro transition



3.1 SR/KW/RD, SR/KW/RDM

expansion boxes for diffusers KW/RD i KW/RDM

INSTALLATION

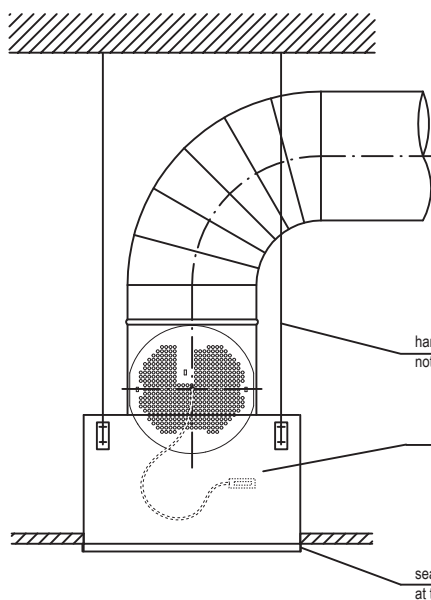
Expansion boxes SR/ KWRD are designed for installation between the ceiling and underslung ceiling,. Prepare an installation hole of a size of $\varnothing D$ or $A \times A$. The box can be mounted onto the ceiling by appropriate hangers (bars, pins...) and installation slings.

Upon customer's request, boxes can be equipped with

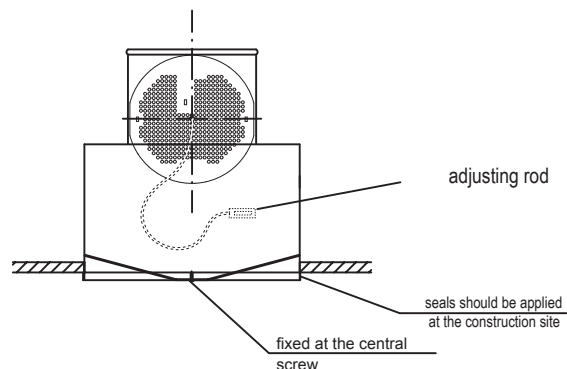
1. factory slings
2. a crossbar that allows for installation of the front panel with one central screw

3

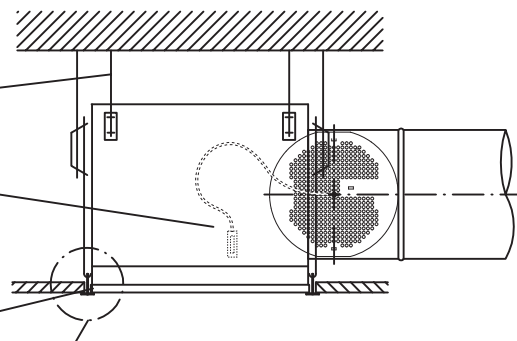
INSTALLATION IN THE ROOF



INSTALLATION WITH THE CROSSBAR AND SCREW



INSTALLATION IN THE FULL UNDERSLUNG PANEL CEILING



INSTALLATION WITH SPIRO TRANSITION

