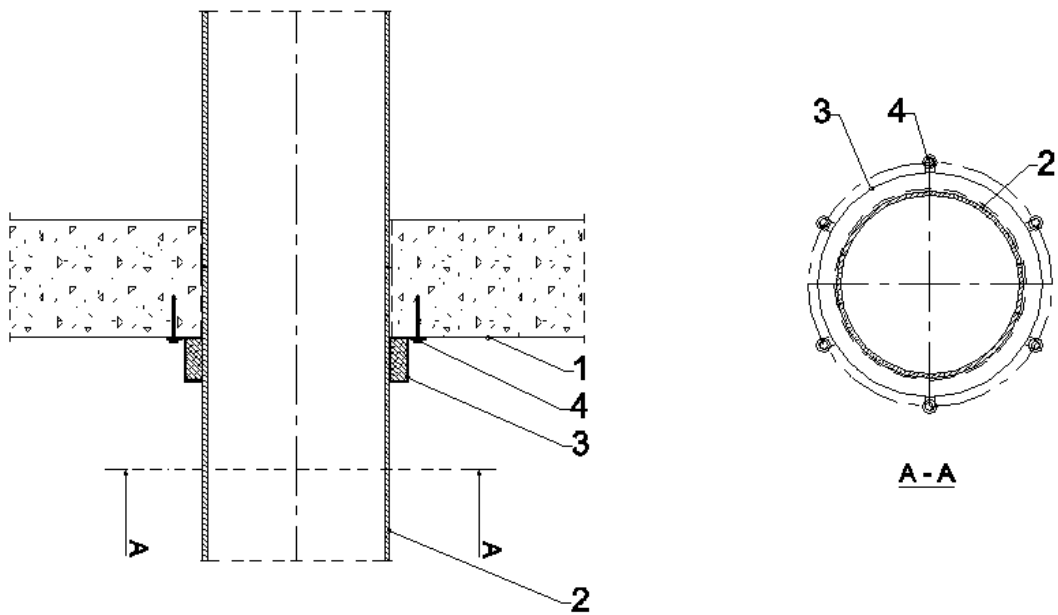


**Plastic pipe penetration seal in rigid floor, made with use of PS Collar.**



- 1 Rigid floor with thickness  $\geq 150$  mm and density  $\geq 600$  kg/m<sup>3</sup>
- 2 Plastic pipe
- 3 PS collar, fixed at the bottom of the floor
- 4 Fastener M6x60, number of fasteners in accordance with Annex A

**PS Collar and PS-25 Wrap**

**Construction details of penetration seals  
made with use of PS Collar**  
Plastic pipe penetration seal in rigid floor

**Annex C15**  
of European  
Technical Assessment  
ETA-17/0676