

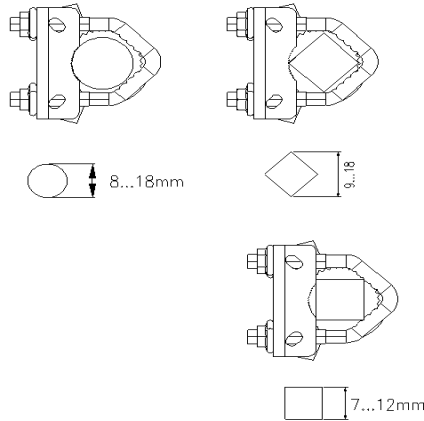
S8081-02/05 Nm Series Modulating Damper Actuators

Summary

S8081-02/05 Nm series modulating damper actuators are designed specifically for applications in the HVAC and light industrial markets.



Dimensions:



Unit: mm

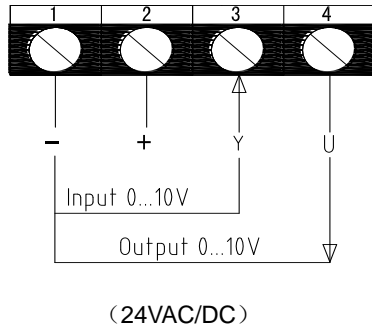
Throttle Axis	Length			
	≥40	8.....18	≥7	≤18
	≥20	8.....18	≥7	≤18

Specifications:

Item	Unit	S8081-02A	S8081-05A
Torque	Nm	2	5
Damper Area	m ²	0.5	1
Operating Time	sec	70	90
Power Supply	V	AC24; DC24	
Frequency	Hz	50/60	
Operating Power	W	1.5W	
Inactive Power	W	0.4W	
Wiring Size	VA	7.5	
Weight	Kg	0.5	
Control Signal		0(2)...10V	
Rotation Angle		0~90°	
Limit Angle		5~85° (5° per step)	
Life Cycle		60, 000 rotation	
Sound Level		45dB(A)	
Protection Level		II	
IP Protection		IP54	
Operating Temperature		-20~+50°C	
Ambient Humidity		5~95%RH	
Storage Temperature		-40~+70°C	
Certificate		CE	

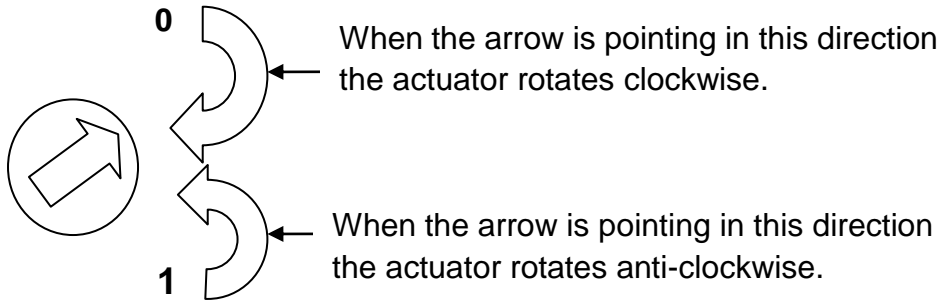
Wiring Diagram:

The damper actuator can be operated between 0(2) ...10V.



Control Signal and Rotation Adjustment:

The damper actuator's rotation direction alters with the change of the pin's direction.



Mounting Dimensions:

24V Dimension:

