

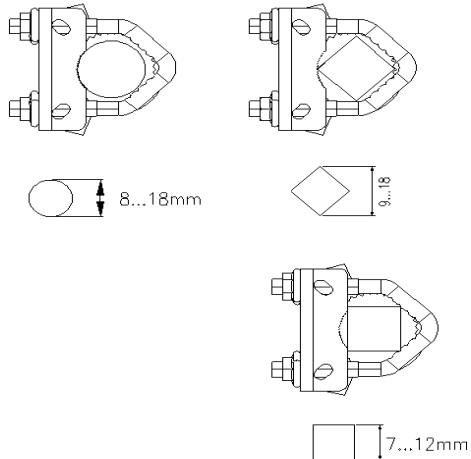
## S8081-02/05 Nm Series On/Off Damper Actuators

### Summary:

S8081-02/05 Nm series on/off damper actuators are designed specifically for applications in the HVAC and light industrial markets.



### Dimensions:



Unit: mm

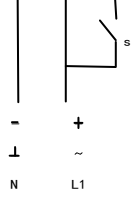
Throttle Axis	Length			
	≥40	8.....18	≥7	≤18
	≥20	8.....18	≥7	≤18

### Specifications:

Item	Unit	S8081-02D	S8081-05D
Torque	Nm	2	5
Damper Area	m <sup>2</sup>	0.5	1
Operating Time	sec	70	90
Power Supply	V	AC24; DC24; AC220/230	
Frequency	Hz	50/60	
Operating Power	W	1.5W (24V); 1.5W (220V/230V)	
Inactive Power	W	0.4W (24V); 0.4W (220V/230V)	
Wiring Size	VA	7.5	
Weight	Kg	0.5	
Control Signal		2 point and 3 point	
Rotation Angle		0~90°	
Limit Angle		5~85° (5° per step)	
Auxiliary Switch Rating		3 (1.5) Amp 230V	
Life Cycle		60,000 rotation	
Sound Level		45dB(A)	
Protection Level		II	
IP Protection		IP54	
Operating Temperature		-20~+50°C	
Ambient Humidity		5~95%RH	
Storage Temperature		-40~+70°C	
Certificate		CE	

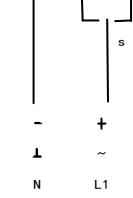
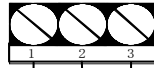
## Wiring Diagram:

2-point



24VDC  $\pm 10\%$   
 24VAC  $\pm 20\%$   
 230VAC/110VAC  $\pm 10\%$

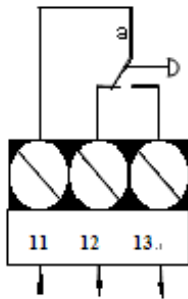
3-point



## Auxiliary Switch:

There is one auxiliary switch for the damper actuator. The angle is adjustable in a range of 0°- 90°. The factory sets 'a' as 10°. The signal switch indicates when the actuator is rotating.

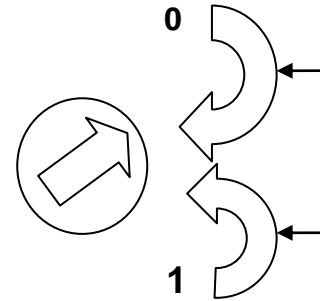
## Auxiliary Switch Diagram:



3(1.5) Amp 230V  
 Actuator in 0° position

## Control Signal and Rotation Angle:

The damper actuator's rotation direction alters with the change of the pin's direction.

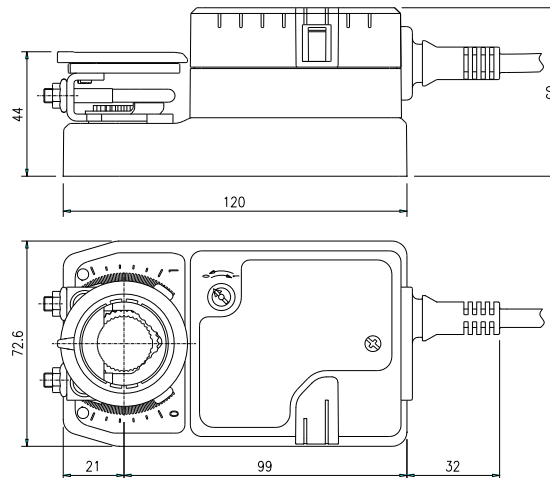


When the arrow is pointing in this direction the actuator rotates clockwise.

When the arrow is pointing in this direction the actuator rotates anti-clockwise.

## Mounting Dimensions:

24V Dimension



220V Dimension

