

### DESCRIPTION

KW are air grates designed to supply and exhaust air. They are equipped with vertical or horizontal blades with adjustable angle to allow for shaping the airflow as necessary.

KW-2 air grates are two-row grates, which are equipped with vertical or horizontal blades with adjustable angle to allow for shaping the supplied airflow in two directions.

KW-SL are the air grates with fixed lamellas set at 45 degrees angle. Grates don't have any PVC elements and can be used in places threaten by high temperature.

KW-P, KW-P-2, KW-P-SL air grates are additionally equipped with control throttle. Adjustable angle of the throttle allows for regulating the airflow capacity.

### FEATURES

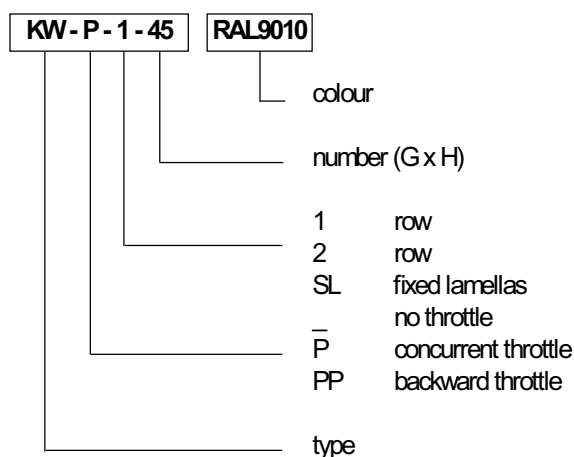
- air grates profiles made of aluminium and available in standard RAL 9010 colour
- adjustable blades angle
- KW-P, KW-P-2, KW-P-SL air grates are additionally equipped with control throttle for adjusting the airflow capacity
- throttle blades are made of alum.zinc metal plate
- made in 81 standard sizes
- upon customer's request, gates can be made in any size and colour from RAL palette
- given sizes are sizes of installation holes
- springs can be used instead of fitting holes

### INSTALLATION

KW air grates are designed for installation in walls or ceilings at the end of the rectangular ventilation duct.

Prepare an installation hole of a size G x H for the chosen air gate, put in the ventilation duct finished with metal cut out. Slide the air grate into the installation hole and fix it to the wall/ceiling using appropriate screws. Remember to seal joints between the air grate and the duct.

### ORDER REFERENCE



### FEATURES

The figure shows airflow capacity V (m<sup>3</sup>/h), pressure loss p (Pa), airflow scope L (m) for end speed of 0.25 m/s, and volume level [db(A)].

The airflow scope L relates to isothermal air supply.

## air grates

### STANDARD SIZES

	1	2	3	4	5	6	7	8	9	10	11	12	13	14	15	16	17	18
A [mm]	150	175	200	250	300	350	450	550	650	150	175	200	250	300	350	450	550	650
B [mm]	150									175								
G [mm]	100	125	150	200	250	300	400	500	600	100	125	150	200	250	300	400	500	600
H [mm]	100									125								
n	2					4				2					4			
Weight KW [kg]	0,20	0,23	0,25	0,30	0,40	0,45	0,55	0,65	0,80	0,23	0,27	0,33	0,43	0,47	0,57	0,70	0,85	1,00
Weight KWP [kg]	0,44	0,45	0,50	0,56	0,67	0,73	0,83	0,95	1,15	0,47	0,54	0,60	0,70	0,75	0,88	1,00	1,30	1,40

	19	20	21	22	23	24	25	26	27	28	29	30	31	32	33	34	35	36
A [mm]	150	175	200	250	300	350	450	550	650	150	175	200	250	300	350	450	550	650
B [mm]	200									250								
G [mm]	100	125	150	200	250	300	400	500	600	100	125	150	200	250	300	400	500	600
H [mm]	150									200								
n	2					4				2					4			
Weight KW [kg]	0,25	0,30	0,35	0,45	0,50	0,60	0,75	0,90	1,05	0,30	0,35	0,40	0,50	0,60	0,70	0,90	1,05	1,25
Weight KWP [kg]	0,49	0,56	0,62	0,73	0,78	0,90	1,10	1,25	1,50	0,56	0,60	0,65	0,78	0,90	1,00	1,25	1,50	1,80

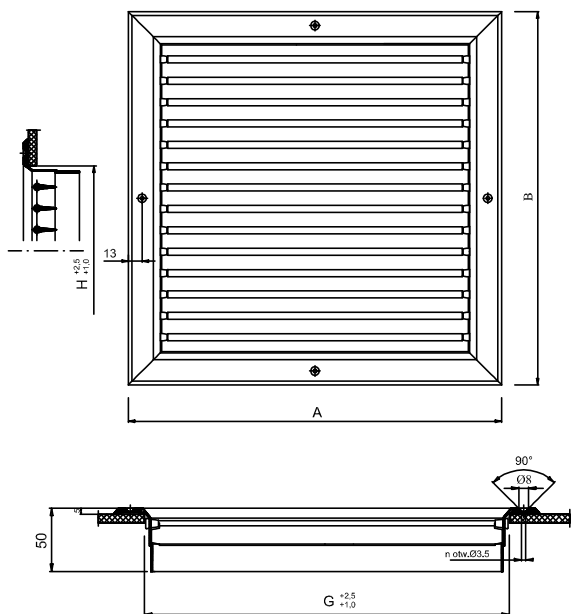
	37	38	39	40	41	42	43	44	45	46	47	48	49	50	51	52	53	54
A [mm]	150	175	200	250	300	350	450	550	650	150	175	200	250	300	350	450	550	650
B [mm]	300									350								
G [mm]	100	125	150	200	250	300	400	500	600	100	125	150	200	250	300	400	500	600
H [mm]	250									300								
n	2					4				2					4			
Weight KW [kg]	0,40	0,45	0,50	0,60	0,70	0,85	1,10	1,30	1,50	0,45	0,50	0,55	0,70	0,80	1,00	1,20	1,45	1,70
Weight KWP [kg]	0,65	0,73	0,78	0,90	1,00	1,17	1,60	1,90	2,20	0,73	0,78	0,84	1,00	1,10	1,40	1,70	2,10	2,50

	55	56	57	58	59	60	61	62	63	64	65	66	67	68	69	70	71	72
A [mm]	150	175	200	250	300	350	450	550	650	150	175	200	250	300	350	450	550	650
B [mm]	450									550								
G [mm]	100	125	150	200	250	300	400	500	600	100	125	150	200	250	300	400	500	600
H [mm]	400									500								
n	2					4				2					4			
Weight KW [kg]	0,55	0,67	0,75	0,90	1,10	1,20	1,60	1,85	2,15	0,65	0,78	0,90	1,05	1,30	1,45	1,85	2,30	2,60
Weight KWP [kg]	0,84	0,95	1,10	1,20	1,60	1,70	2,35	2,70	3,20	0,95	1,10	1,20	1,50	1,90	2,10	2,70	3,50	4,00

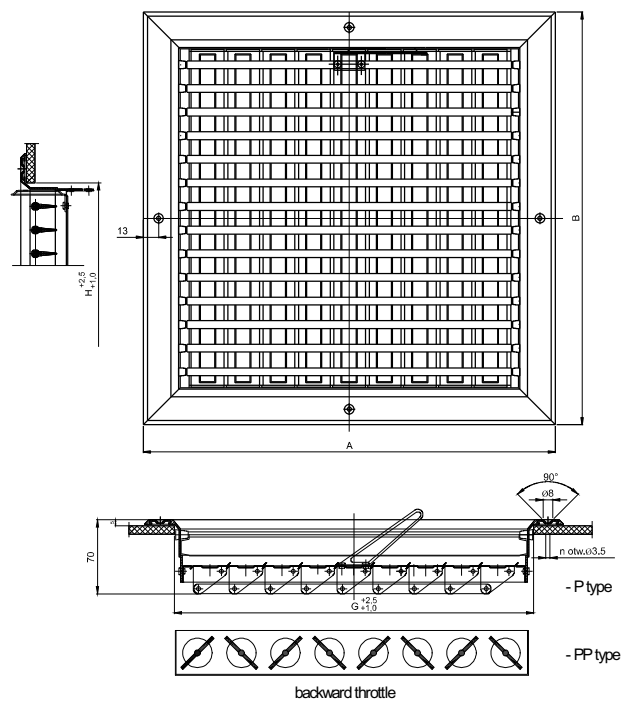
	73	74	75	76	77	78	79	80	81
A [mm]	150	175	200	250	300	350	450	550	650
B [mm]	650								
G [mm]	100	125	150	200	250	300	400	500	600
H [mm]	600								
n	2					4			

A – overall air grate width  
 B – overall air grate height  
 G – installation hole width  
 H – installation hole height  
 n – number of installation holes

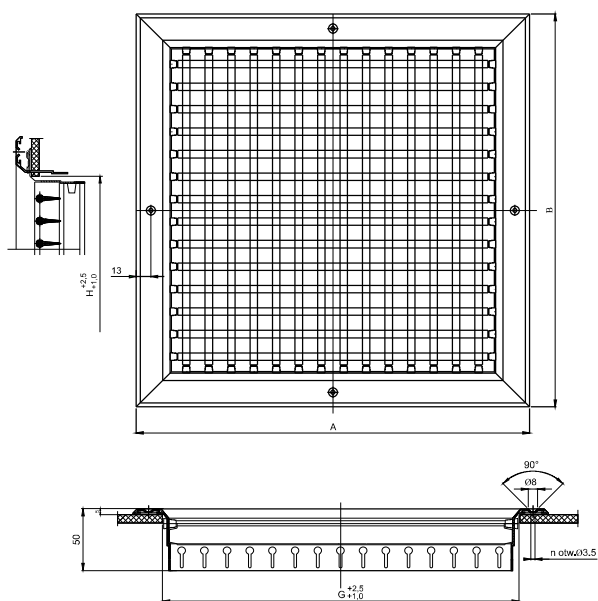
**AIR GRATE KW**



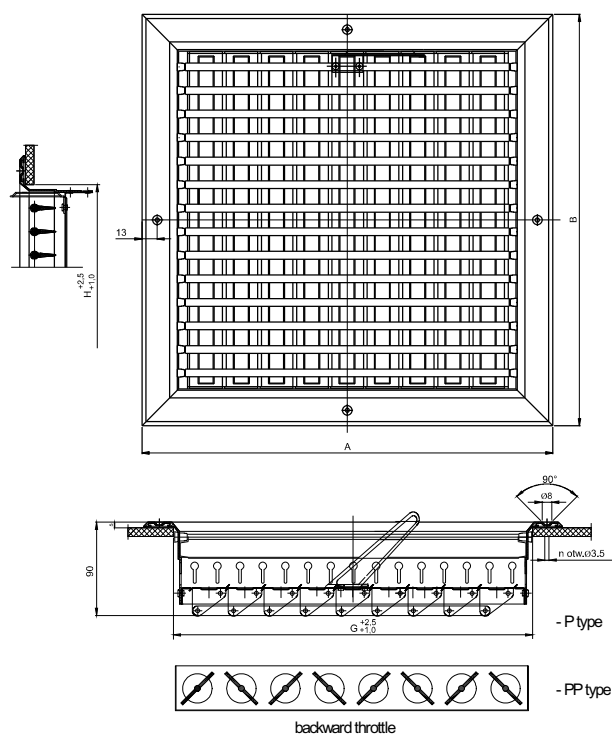
**AIR GRATE KW-P**



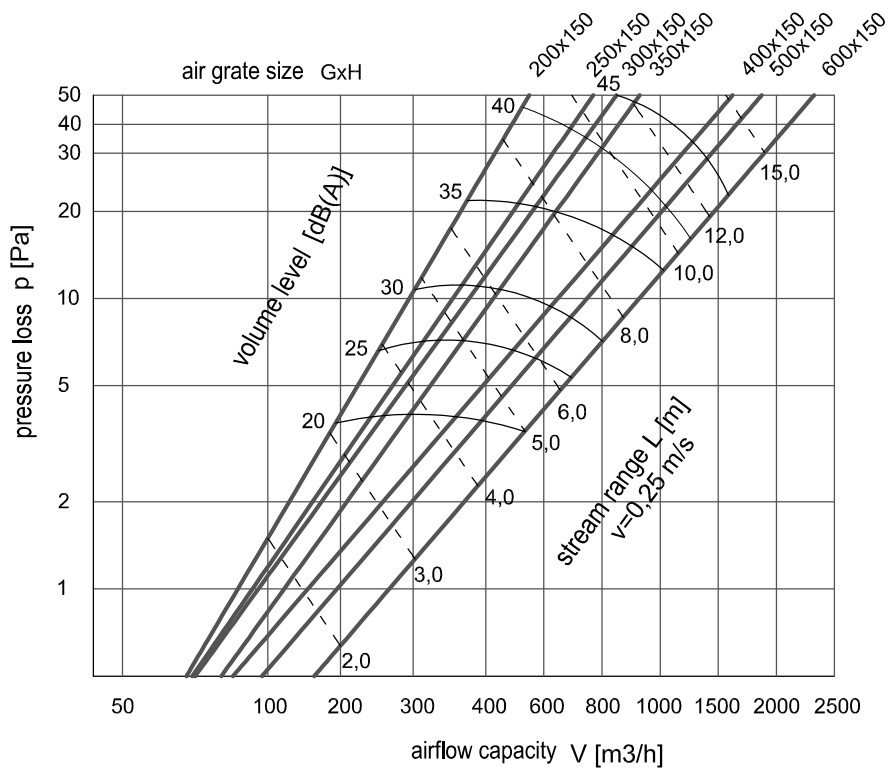
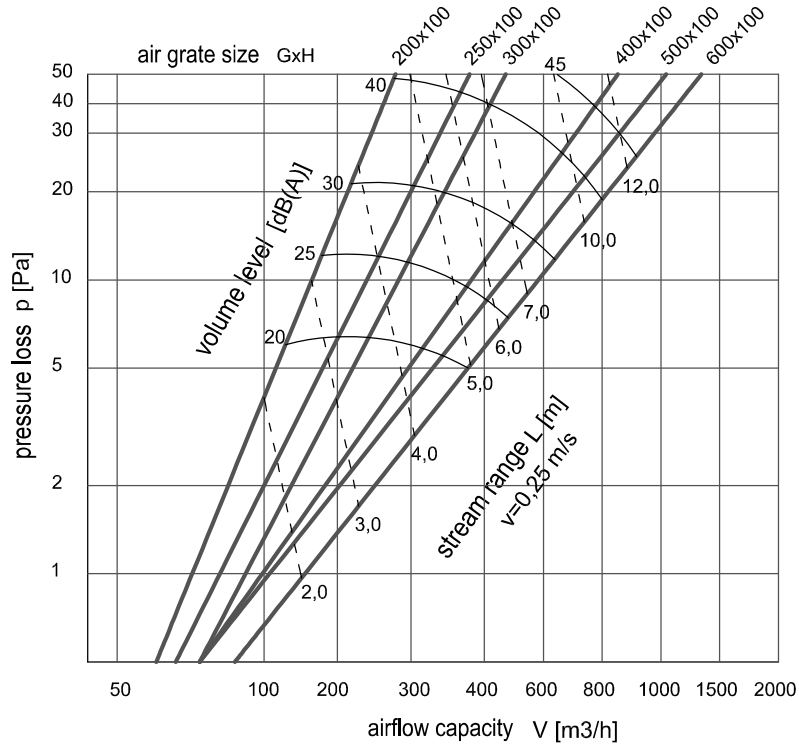
**AIR GRATE KW-2**



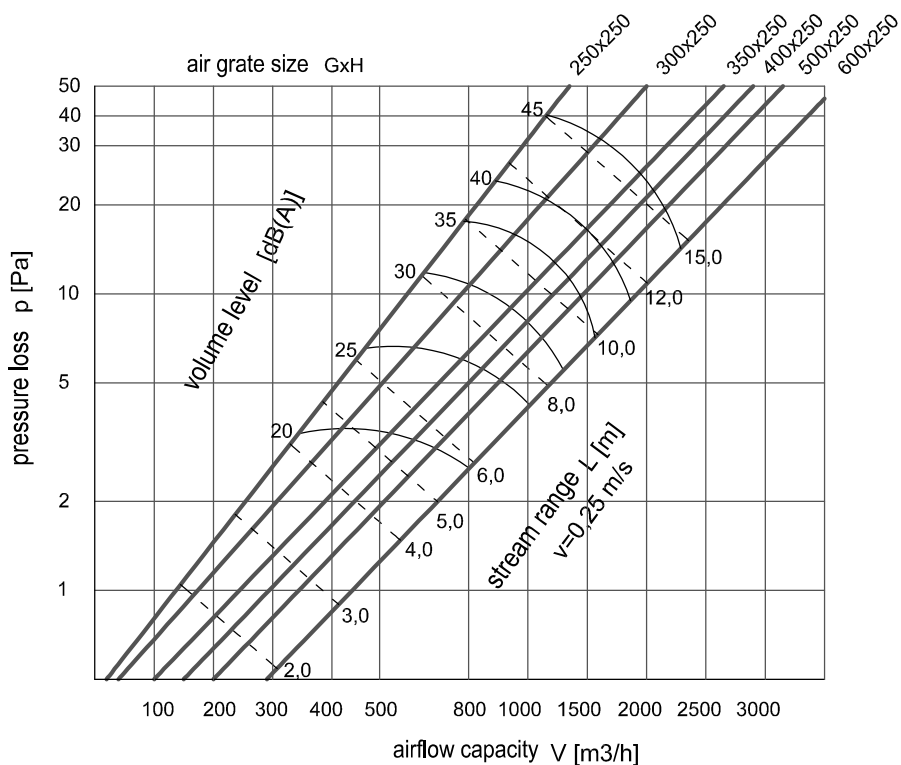
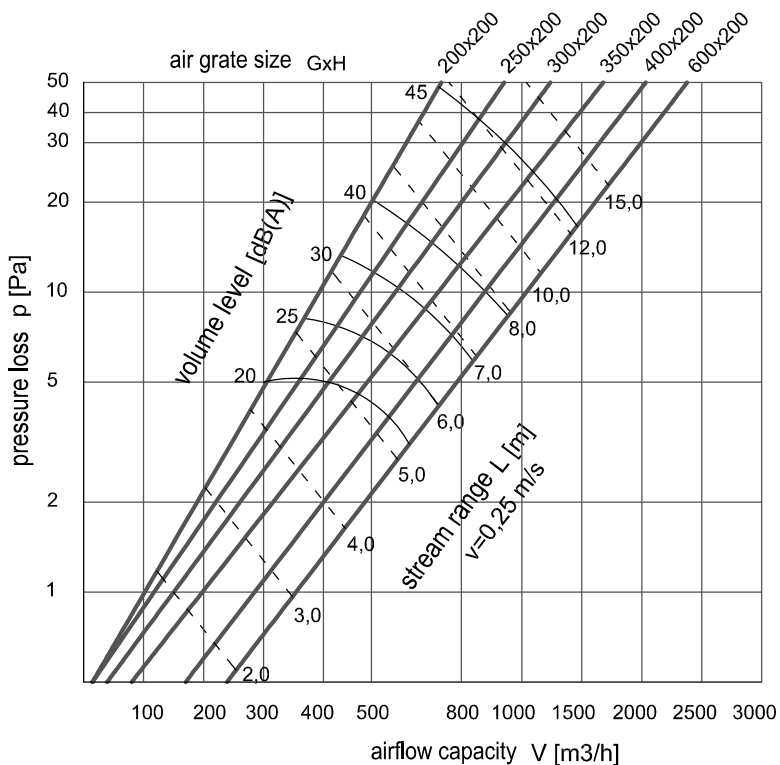
**AIR GRATE KW-P-2**



### FEATURES



## FEATURES



### FEATURES

