



klíma celje

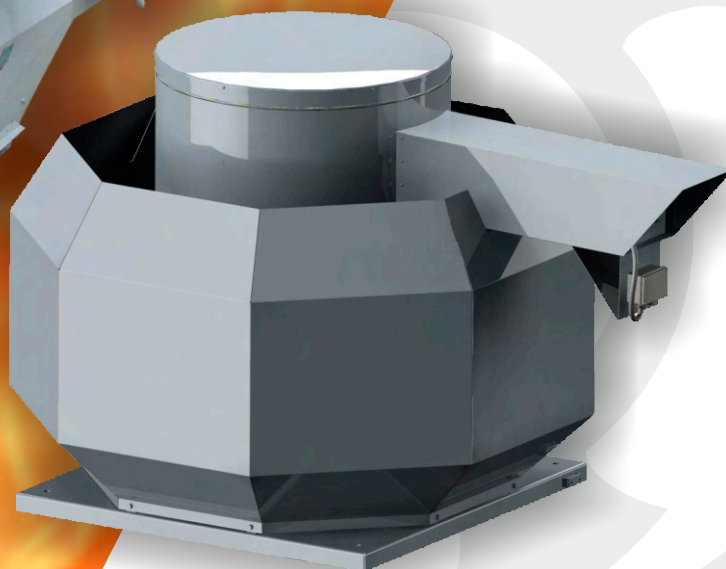
INDUSTRIJA AEROTERMIČNIH NAPRAV D.D.



04/2013

ODT-SVK

F600



ODT-SVK2

F400

**STREŠNI VENTILATORJI ZA ODVOD
DIMA IN TOPLOTE**

**ROOF FANS FOR SMOKE AND HEAT
EXTRACTION**

KAZALO

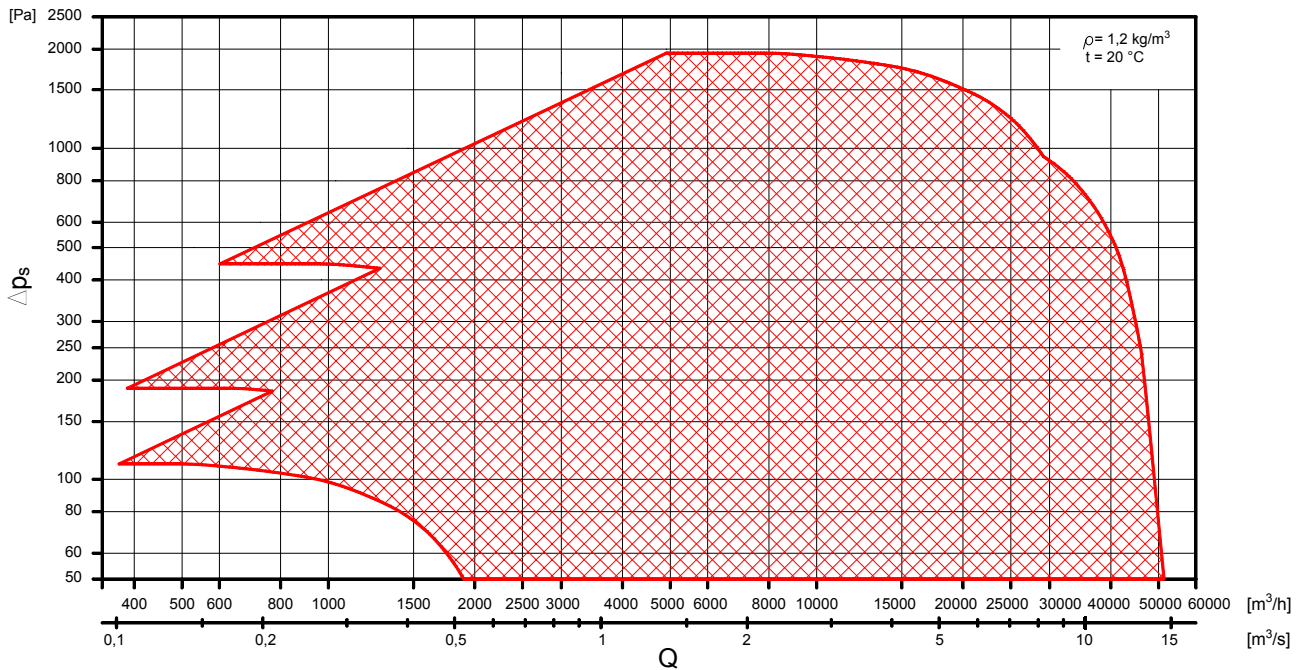
| | |
|--|----|
| IZBIRNI DIAGRAM | 1 |
| OPIS | 2 |
| Označevanje | 2 |
| STREŠNI VENTILATORJI ZA ODVOD DIMA IN TOPLOTE ODT-SVK2 F400 | 3 |
| Ustreznost kategorijam po EN 12101-3 | 3 |
| Dimenzije | 3 |
| Tehnični podatki | 4 |
| Diagrami | 5 |
| STREŠNI VENTILATORJI ZA ODVOD DIMA IN TOPLOTE ODT-SVK F600 | 7 |
| Ustreznost kategorijam po EN 12101-3 | 7 |
| Dimenzije | 7 |
| Tehnični podatki | 8 |
| Diagrami | 9 |
| DODATNA OPREMA F400 | 11 |
| VEZALNE SCHEME | 13 |
| Primeri VGRADNJE | 15 |
| POPIŠNI TEKST ODT-SVK2 | 16 |
| POPIŠNI TEKST ODT-SVK | 17 |

TABLE OF CONTENTS

| | |
|--|----|
| GENERAL SELECTION | 1 |
| GENERAL | 2 |
| Designation | 2 |
| SMOKE AND HEAT EXTRACT ROOF FANS TYPE ODT-SVK2 F400 | 3 |
| Conformity with regulations EN 12101-3 | 3 |
| Dimensions | 3 |
| Technical data | 4 |
| Characteristics | 5 |
| SMOKE AND HEAT EXTRACT ROOF FANS TYPE ODT-SVK F600 | 7 |
| Conformity with regulations EN 12101-3 | 7 |
| Dimensions | 7 |
| Technical data | 8 |
| Characteristics | 9 |
| ACCESSORIES F400 | 11 |
| WIRING DIAGRAMS | 13 |
| MOUNTING EXAMPLES | 15 |
| SPECIFICATION ODT-SVK2 | 16 |
| SPECIFICATION ODT-SVK | 17 |

IZBIRNI DIAGRAM

GENERAL SELECTION



OPIS

Ventilatorji za odvod dima in toplote morajo zagotoviti odvod vročega zraka, dima, prašnih in ostalih toksičnih produktov zgorevanja predvsem v zgodnji fazi požara in s tem omogočiti evakuacijo oseb in začetek gašenja.

Namen

Strešni ventilatorji ODT-SVK2 in ODT-SVK omogočajo:

- prisilni odvod dima in toplote v primeru požara
- prezračevanje ob normalnih razmerah in prisilni odvod dima in toplote v primeru požara.

Primerni so za vgradnjo v vse vrste objektov za stalno obratovanje pri temperaturi medija do 200°C in najvišji temperaturi okolice 50°C.

Vgradnja ventilatorjev mora biti izven požarne cone, da je v primeru požara omogočeno hlajenje elektromotorja z zunanjim zrakom.

Tehnični opis

Centrifugalni rotorji z nazaj zakrivljenimi lopaticami varjene izvedbe zagotavljajo visoke izkoristke in nizko šumnost. Dinamično so uravnoteženi v razredu G 6.3 po DIN ISO 1940-1. Temeljna plošča s sesalnim lijakom in pritrdilnimi vijaki omogoča enostavno vgradnjo vse dodatne opreme na sesalni strani. Motor, vgrajen v izoliranem ohišju, je prisilno hlajen z zunanjim zrakom. Vsi elementi, razen zunanjega okrova, so kompaktne jeklene izvedbe, pobarvani z RAL 7040. Zunanji okrov je izdelan iz Al pločevine. Električna priključna omarica je nameščena pod vstopno odprtino hladilnega zraka in omogoča enostaven priklop.

Pogon

Ventilatorji ODT-SVK2 in ODT-SVK imajo vgrajene standardne trifazne elektromotorje 3x400V; 50 Hz; IP 55, IM V1. Motorji so opremljeni s PTC tipali za termično zaščito pri obratovanju v normalnih razmerah.

V primeru požara, je potrebno zagotoviti izklop vseh el. motornih zaščit.

GENERAL

Roof fans for smoke and heat extraction have to assure effective exhausting of smoke, hot-air, dust and other toxic substances in the beginning of the fire, so that evacuation of people and quick extinguishing could be possible.

Purpose of use

Roof fans ODT-SVK2 and ODT-SVK enable:

- smoke and heat extraction in the case of fire
- ventilation at normal conditions and smoke and heat extraction in the case of fire.

Fans are suitable for all types of buildings for permanent operating with medium temperature till 200°C at maximum ambient temperature 50°C.

Smoke and heat extraction roof fans have to be mounted outside of the fire zone, so that in the case of fire, electromotor can be cooled with an external air.

Technical description

Centrifugal welded impellers with back-curved blades assure good efficiency ratio and low noise level. They are dynamically balanced in class G 6.3 by DIN ISO 1940-1. Base plate with inlet funnel and mounting screws enable simple mounting of all the inlet accessories. Motor, mounted in an isolated housing is forced cooled with external air. All components are made from compact steel construction and painted with RAL 7040. External casing is made from Al sheet metal. Terminal box which is installed under motor's cooling duct, enable easy connection.

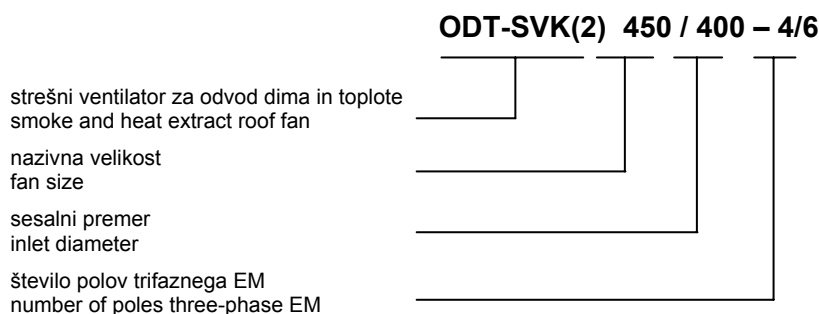
Drive

ODT-SVK2 and ODT-SVK roof fans have integrated standard three-phase electromotors 3x400V; 50Hz, IP55, IM V1 with PTC sensors for thermal protection in non-emergency operating (every day ventilation).

In the case of fire, all protections of the electromotor must be disabled.

Označevanje

Designation

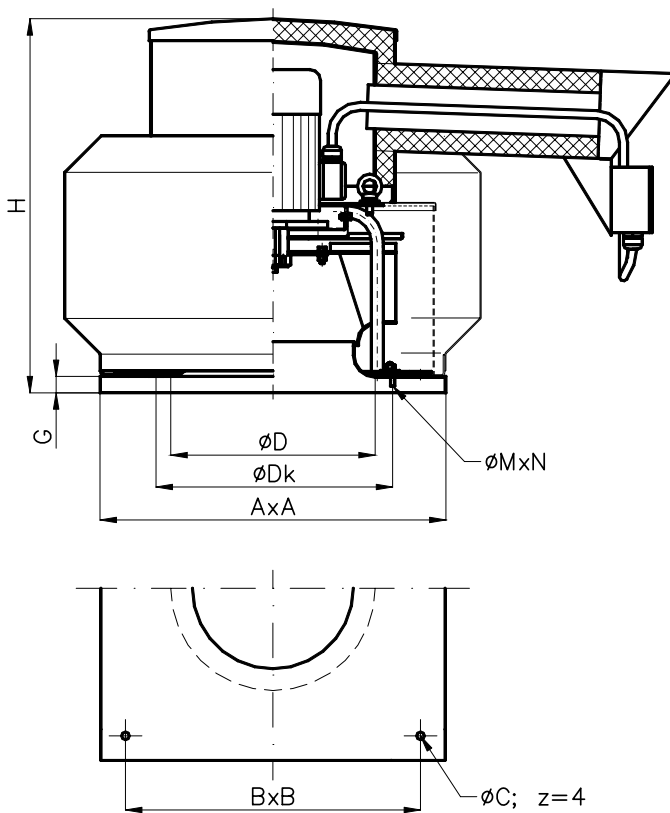
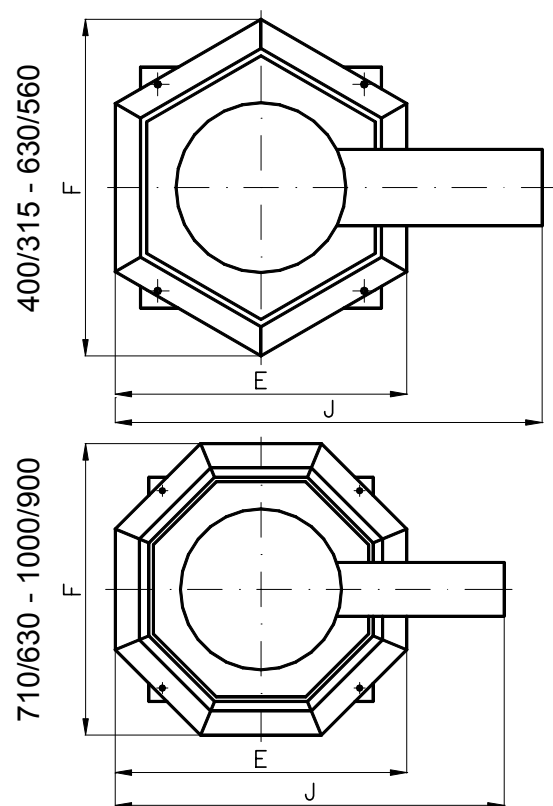


**STREŠNI VENTILATORJI ZA ODVOD DIMA IN
 TOPLOTE ODT-SVK2 F400**
**SMOKE AND HEAT EXTRACT ROOF FANS
 TYPE ODT-SVK2 F400**
Ustreznost kategorijam po EN 12101-3

- F400: 400°C / 120 min, ustreza tudi F200 in F300
- Tipski preizkus po EN 12101-3 je opravil laboratorij ZAG Ljubljana pri 400°C v trajanju 135 min.

Conformity with regulations EN 12101-3

- F400: 400°C / 120 min, conforms also to F200 and F300
- Type test according to EN 12101-3 was conducted by ZAG Ljubljana at 400°C and 135min duration.

Dimenzije

Dimensions


| ODT-SVK2 | ØD | AxA | BxB | ØC | E | F | G | H | J | ØD _k | ØMxN |
|------------|-----|------|------|-----|------|------|----|------|------|-----------------|----------|
| 400 / 315 | 315 | 560 | 480 | Ø12 | 675 | 780 | 30 | 615 | 1009 | 356 | M8 x 8 |
| 450 / 400 | 400 | 630 | 540 | Ø12 | 762 | 880 | 30 | 690 | 1116 | 438 | M8 x 6 |
| 500 / 450 | 450 | 710 | 610 | Ø14 | 849 | 980 | 40 | 740 | 1232 | 487 | M8 x 6 |
| 560 / 500 | 500 | 800 | 700 | Ø14 | 953 | 1100 | 40 | 830 | 1361 | 541 | M8 x 6 |
| 630 / 560 | 560 | 900 | 780 | Ø14 | 1140 | 1315 | 40 | 960 | 1548 | 605 | M10 x 8 |
| 710 / 630 | 630 | 1000 | 880 | Ø18 | 1300 | 1300 | 50 | 1130 | 1735 | 674 | M10 x 8 |
| 800 / 710 | 710 | 1120 | 1000 | Ø18 | 1490 | 1490 | 50 | 1270 | 2027 | 751 | M10 x 8 |
| 900 / 800 | 800 | 1250 | 1100 | Ø22 | 1650 | 1650 | 50 | 1305 | 2183 | 837 | M10 x 12 |
| 1000 / 900 | 900 | 1400 | 1250 | Ø22 | 1850 | 1850 | 50 | 1400 | 2437 | 934 | M10 x 12 |

Tehnični podatki
Technical data

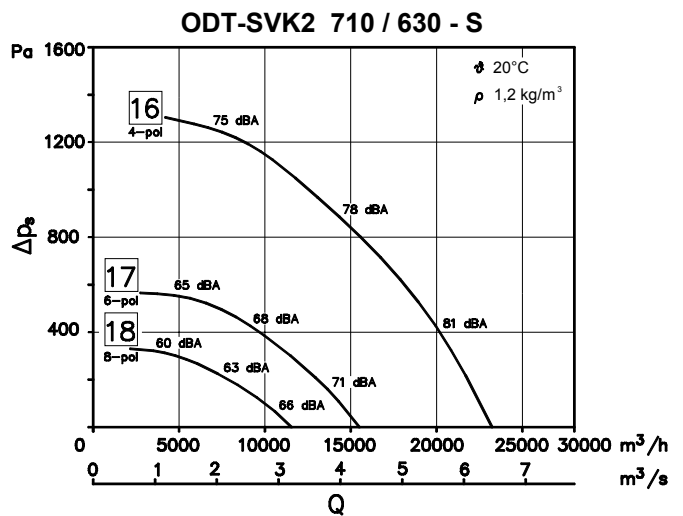
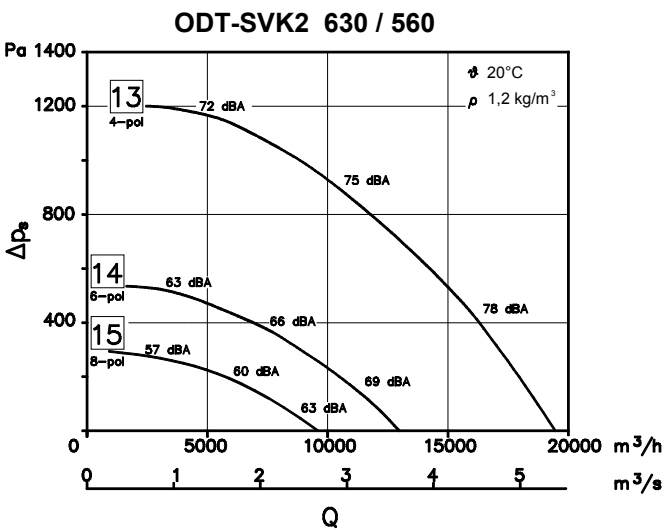
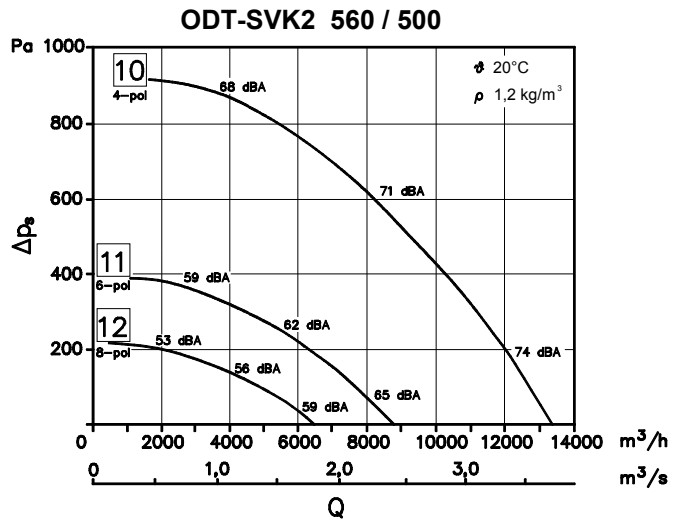
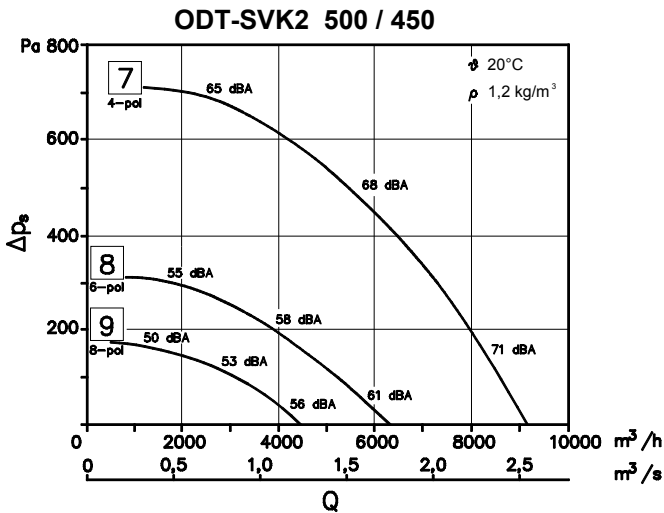
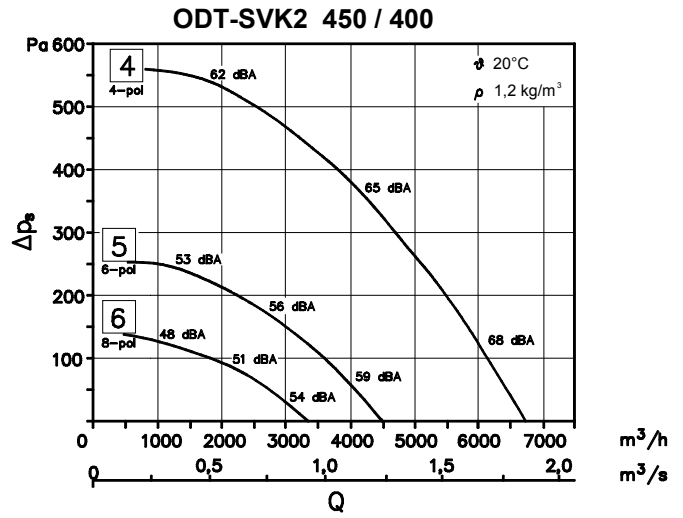
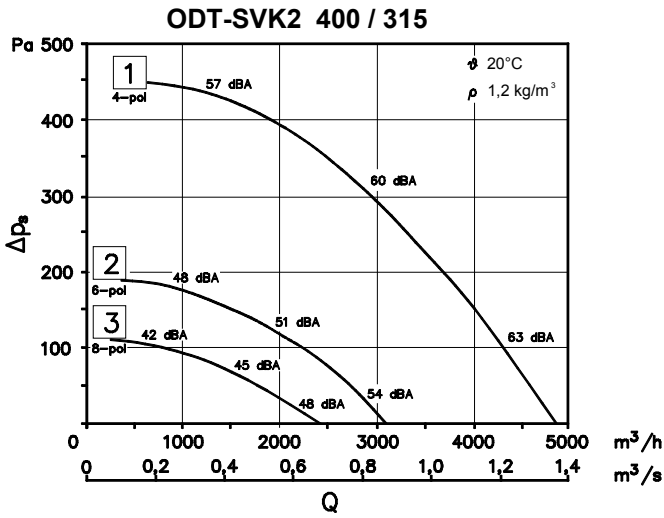
| Tip ventilatorja Fan type | El. motor 3x400 V; 50Hz; IP 55; PTC | | | | Ventilator Fan | | | |
|------------------------------|-------------------------------------|-----------|-----------------------|-------------------------|---|------------------------|--------------|---------|
| | n [min ⁻¹] | P [kW] | I _N [A] | Velikost Size IEC | q _{max} [m ³ /h] | Teža Weight [kg] | Poz. Pos. | |
| ODT SVK2 | | | | | | | | |
| 400/315 - 4 | 1405 | - | 0,55 | 1,48 | 80 K4 | 4700 | 48 | 1 |
| 400/315 - 6 | 910 | - | 0,37 | 1,17 | 80 K6 | 3100 | 48 | 2 |
| 400/315 - 4/6 | 1420 | 965 | 0,60 / 0,20 | 1,69 / 1,02 | 80 K6/4L | 4700 / 3100 | 48 | 1 / 2 |
| 400/315 - 4/8 | 1410 | 695 | 0,60 / 0,12 | 1,72 / 0,75 | 80 K8/4L | 4700 / 2400 | 48 | 1 / 3 |
| 450/400 - 4 | 1385 | - | 1,1 | 2,53 | 90 S4 | 6700 | 66 | 4 |
| 450/400 - 6 | 895 | - | 0,55 | 1,72 | 80 G6 | 4500 | 60 | 5 |
| 450/400 - 4/6 | 1435 | 965 | 1,0 / 0,35 | 3,13 / 1,36 | 90 S6/4L | 6700 / 4500 | 67 | 4 / 5 |
| 450/400 - 4/8 | 1395 | 705 | 1,4 / 0,30 | 3,63 / 1,21 | 90 S8/4L | 6700 / 3300 | 67 | 4 / 6 |
| 500/450 - 4 | 1410 | - | 1,5 | 3,31 | 90 L4 | 9100 | 92 | 7 |
| 500/450 - 6 | 895 | - | 0,55 | 1,72 | 80 G6 | 6100 | 83 | 8 |
| 500/450 - 4/6 | 1420 | 935 | 1,5 / 0,4 | 4,63 / 1,46 | 90 L6/4L | 9100 / 6100 | 89 | 7/8 |
| 500/450 - 4/8 | 1375 | 695 | 1,8 / 0,4 | 4,44 / 1,43 | 90 L8/4L | 9100 / 4400 | 89 | 7 / 9 |
| 560/500 - 4 | 1425 | - | 3 | 6,10 | 100 LX4 | 13300 | 122 | 10 |
| 560/500 - 6 | 930 | - | 1,5 | 3,60 | 100 L6 | 8700 | 116 | 11 |
| 560/500 - 4/6 | 1460 | 965 | 3,0 / 1,0 | 7,80 / 2,88 | 112 M6/4L | 13300 / 8700 | 128 | 10 / 11 |
| 560/500 - 4/8 | 1420 | 695 | 2,8 / 0,7 | 6,30 / 2,42 | 100 LX8/4L | 13300 / 6500 | 122 | 10 / 12 |
| 630/560 - 4 | 1455 | - | 5,5 | 10,8 | 132 S4 | 19300 | 185 | 13 |
| 630/560 - 6 | 940 | - | 2,2 | 5,12 | 112 M6 | 12400 | 163 | 14 |
| 630/560 - 4/6 | 1455 | 975 | 6,0 / 2,2 | 11,8 / 5,66 | 132 M6/4L | 19300 / 12400 | 198 | 13 / 14 |
| 630/560 - 4/8 | 1460 | 725 | 6,5 / 1,8 | 13,9 / 5,62 | 132 M8/4L | 19300 / 9600 | 198 | 13 / 15 |
| 710/630 - 4S | 1450 | - | 7,5 | 14,3 | 132 M4 | 23200 | 254 | 16 |
| 710/630 - 6S | 970 | - | 3 | 6,90 | 132 S6 | 15500 | 235 | 17 |
| 710/630 - 4/6S | 1465 | 975 | 10,0 / 3,3 | 21,1 / 8,40 | 160 M6/4L | 23200 / 15500 | 285 | 16 / 17 |
| 710/630 - 4/8S | 1450 | 730 | 10,0 / 2,5 | 20,2 / 6,60 | 160 M8/4L | 23200 / 11600 | 285 | 16 / 18 |
| 710/630 - 4 | 1450 | - | 11 | 20,9 | 160 M4 | 27500 | 284 | 19 |
| 710/630 - 6 | 965 | - | 4 | 8,90 | 132 M6 | 18300 | 242 | 20 |
| 710/630 - 4/6 | 1460 | 980 | 13/4,4 | 25,3 / 10,8 | 160 L6/4L | 27500 / 18300 | 305 | 19 / 20 |
| 710/630 - 4/8 | 1455 | 730 | 12,5/3,5 | 23,4 / 8,30 | 160 L8/4L | 27500 / 13800 | 300 | 19 / 21 |
| 800/710 - 4S | 1460 | - | 15 | 28,1 | 160 L4 | 36400 | 390 | 22 |
| 800/710 - 4/6S | 1475 | 985 | 16,0 / 5,4 | 30,5 / 13,9 | 180 M6/4L | 36400 / 24500 | 435 | 22 / 23 |
| 800/710 - 4/8S | 1470 | 730 | 16,0 / 4,5 | 29,9 / 11,0 | 180 M8/4L | 35900 / 18200 | 426 | 22 / 24 |
| 800/710 - 4 | 1470 | - | 18,5 | 34,5 | 180 M4 | 39500 | 425 | 25 |
| 800/710 - 6 | 970 | - | 5,5 | 12,0 | 132 MX6 | 26000 | 315 | 26 |
| 900/800 - 6 | 970 | - | 11 | 22,9 | 160 L6 | 37000 | 415 | 27 |
| 900/800 - 8 | 720 | - | 5,5 | 12,4 | 160 MX8 | 27500 | 390 | 28 |
| 1000/900 - 6 | 975 | - | 15 | 29,8 | 180 L6 | 43100 | 580 | 29 |
| 1000/900 - 8 | 725 | - | 7,5 | 16,3 | 160 L8 | 32000 | 530 | 30 |
| 1000/900 - 6L | 980 | - | 18,5 | 35,3 | 200 L6 | 52000 | 625 | 31 |

Parametri el. motorja lahko odstopajo glede na njegovega proizvajalca.

Parameters of the electric motor can deviate with regard to its producer.

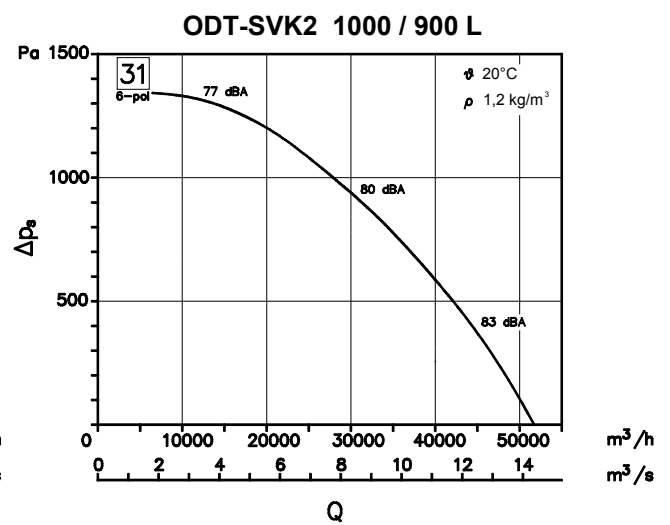
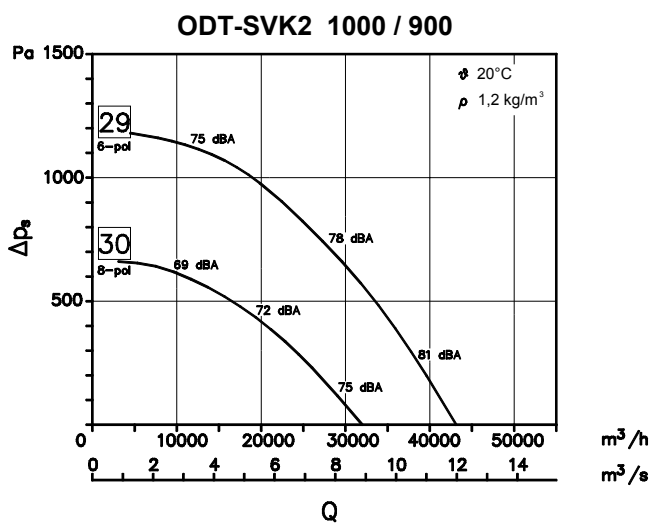
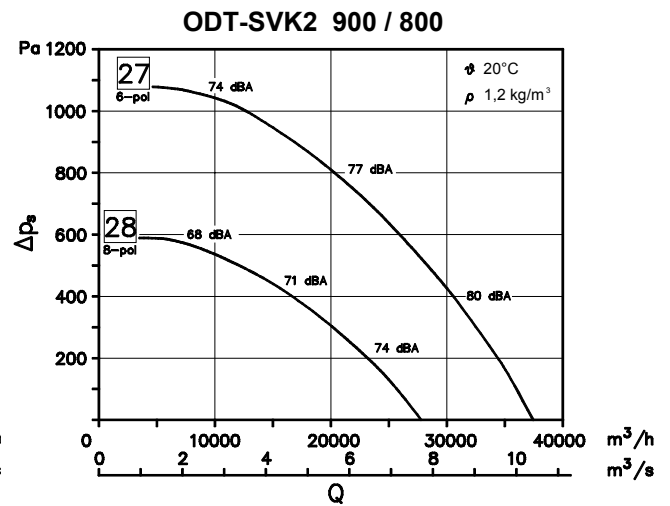
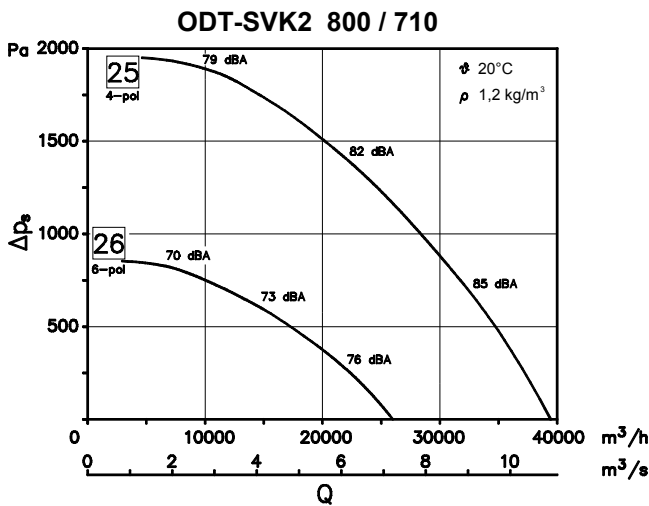
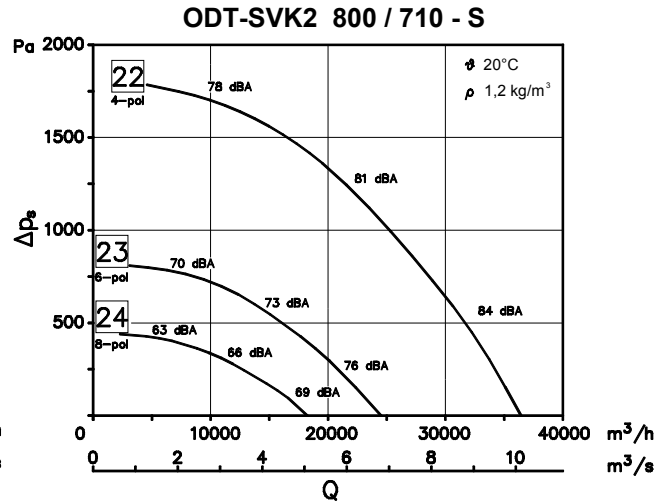
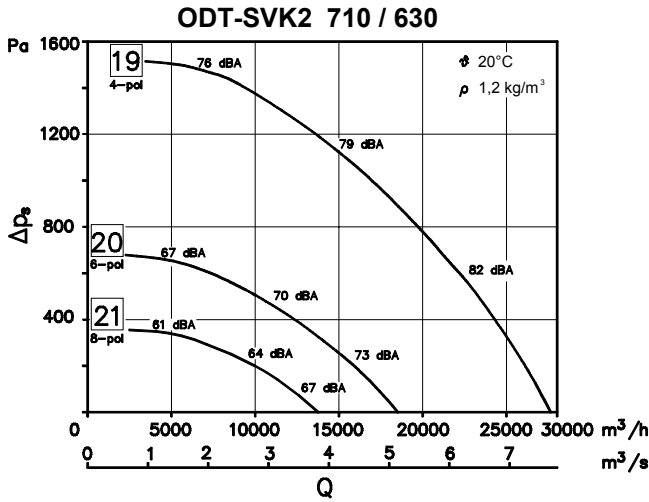
Diagrami

Characteristics



OPOMBA: Podan zvočni tlak L_{pa} [dBA] je merjen 4m bočno, na izstopni strani, pri faktorju usmerjenosti Q=2.

NOTE: Defined sound pressure L_{pa} [dBA] is measured sideways on 4m distance, on the outlet side, with directivity factor Q=2.



OPOMBA: Podan zvočni tlak L_{pa} [dBA] je merjen 4m bočno, na izstopni strani, pri faktorju usmerjenosti $Q=2$.

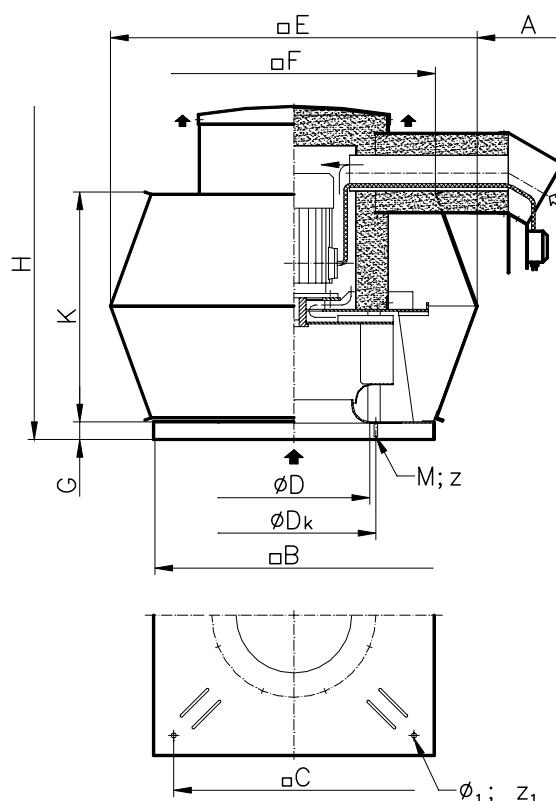
NOTE: Defined sound pressure L_{pa} [dBA] is measured sideways on 4m distance, on the outlet side, with directivity factor $Q=2$.

**STREŠNI VENTILATORJI ZA ODVOD DIMA
IN TOPLOTE ODT-SVK F600**
**SMOKE AND HEAT EXTRACT ROOF FANS TYPE
ODT-SVK F600**
Ustreznost kategorijam po EN 12101-3

- F600: 600°C / 60 min
- 600°C / 120 min
- Tipski preizkus po EN 12101-3 je opravil laboratorij TU München pri 600°C v trajanju 140 min.

Conformity with regulations EN 12101-3

- F600: 600°C / 60 min
- 600°C / 120 min
- Type test according to EN 12101-3 was conducted by TU München at 600°C and 140min duration.

Dimenzije
Dimensions


| ODT-SVK | ØD | ØDk | □B | □E | □F | G | H | K | A | M | z | □C | Ø ₁ | z ₁ |
|------------|-----|-----|------|------|------|----|------|------|-----|-----|----|------|----------------|----------------|
| 400 / 315 | 315 | 356 | 560 | 745 | 570 | 40 | 700 | 485 | 300 | M8 | 8 | 480 | Ø12 | 4 |
| 450 / 400 | 400 | 438 | 630 | 832 | 642 | 40 | 750 | 525 | 320 | M8 | 6 | 540 | Ø12 | 4 |
| 500 / 450 | 450 | 487 | 710 | 945 | 723 | 40 | 820 | 615 | 340 | M8 | 6 | 610 | Ø14 | 4 |
| 560 / 500 | 500 | 541 | 800 | 1053 | 813 | 40 | 920 | 670 | 360 | M8 | 6 | 700 | Ø14 | 4 |
| 630 / 560 | 560 | 605 | 900 | 1196 | 915 | 40 | 1080 | 785 | 390 | M10 | 8 | 780 | Ø14 | 4 |
| 710 / 630 | 630 | 674 | 1000 | 1322 | 1017 | 50 | 1260 | 845 | 390 | M10 | 8 | 880 | Ø18 | 4 |
| 800 / 710 | 710 | 751 | 1120 | 1491 | 1138 | 50 | 1350 | 980 | 450 | M10 | 8 | 1000 | Ø18 | 4 |
| 900 / 800 | 800 | 837 | 1250 | 1652 | 1268 | 50 | 1400 | 1065 | 470 | M10 | 12 | 1100 | Ø22 | 4 |
| 1000 / 900 | 900 | 934 | 1400 | 1856 | 1420 | 50 | 1510 | 1210 | 490 | M10 | 12 | 1250 | Ø22 | 4 |

Tehnični podatki
Technical data

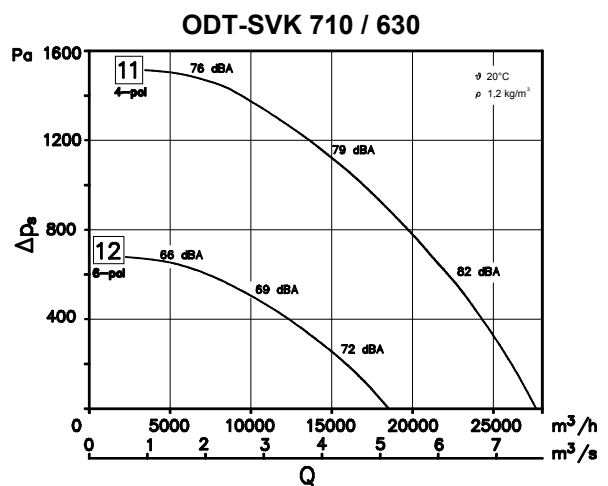
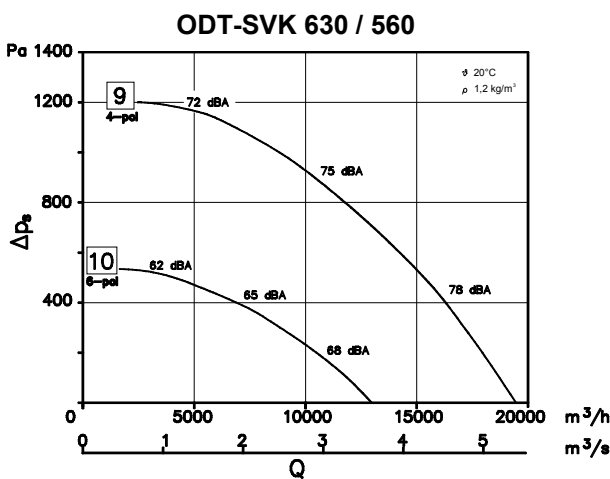
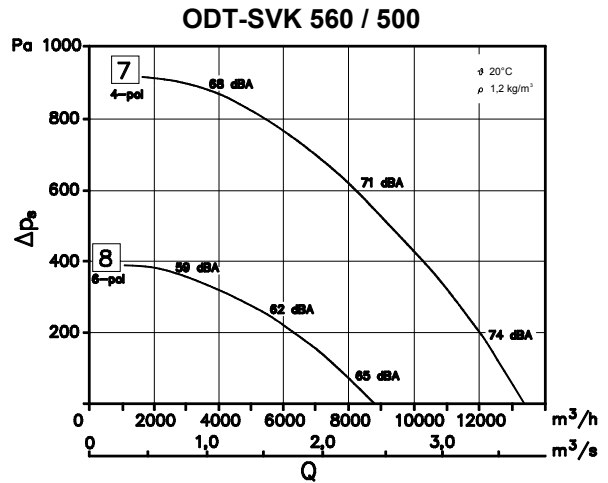
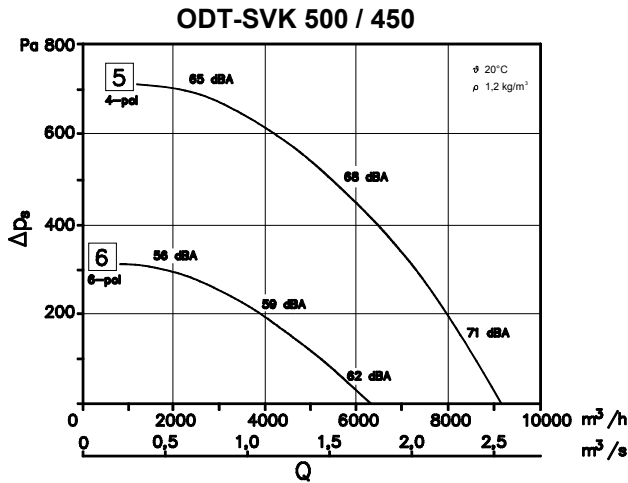
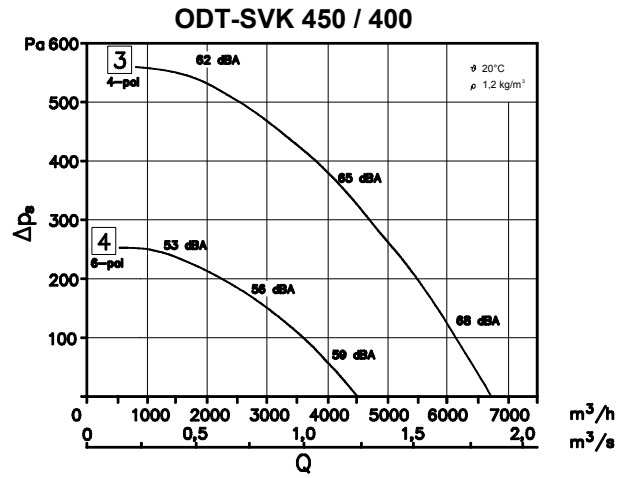
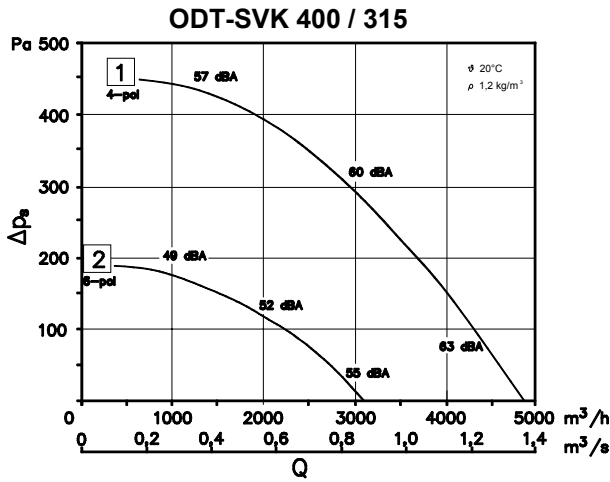
| Tip Fan type ODT-SVK | El. motor 3x400 V; 50Hz; IP 55; PTC | | | | Ventilator Fan | | |
|--------------------------------|-------------------------------------|------------|-----------------------|-------------------------|---|------------------------|--------------|
| | n [min ⁻¹] | P [kW] | I _n [A] | Velikost Size IEC | q _{max} [m ³ /h] | Teža Weight [kg] | Poz. Pos. |
| 400/315-4 | 1405 | 0,55 | 1,48 | 80 K | 4700 | 80 | 1 |
| 400/315-6 | 910 | 0,37 | 1,17 | 80 K | 3100 | 80 | 2 |
| 400/315-4/6 | 1420 / 965 | 0,6 / 0,2 | 1,69 / 1,02 | 80 K | 4700 / 3100 | 80 | 1 / 2 |
| 450/400-4 | 1385 | 1,1 | 2,53 | 90 S | 6700 | 110 | 3 |
| 450/400-6 | 935 | 0,75 | 2,0 | 90 S | 4500 | 110 | 4 |
| 450/400-4/6 | 1435 / 965 | 1,0 / 0,35 | 3,13 / 1,36 | 90 S | 6700 / 4500 | 110 | 3 / 4 |
| 500/450-4 | 1410 | 1,5 | 3,31 | 90 L | 9100 | 130 | 5 |
| 500/450-6 | 935 | 0,75 | 2,0 | 90S | 6100 | 130 | 6 |
| 500/450-4/6 | 1420 / 935 | 1,5 / 0,4 | 4,63 / 1,46 | 90L | 9100 / 6200 | 130 | 5 / 6 |
| 560/500-4 | 1425 | 3,0 | 6,10 | 100LX | 13300 | 175 | 7 |
| 560/500-6 | 930 | 1,5 | 3,60 | 100L | 8700 | 170 | 8 |
| 560/500-4/6 | 1460 / 965 | 3,0 / 1,0 | 7,8 / 2,88 | 112M | 13300 / 8700 | 180 | 7 / 8 |
| 630/560-4 | 1455 | 5,5 | 10,8 | 132S | 19300 | 260 | 9 |
| 630/560-6 | 970 | 3,0 | 6,90 | 132S | 12900 | 260 | 10 |
| 630/560-4/6 | 1455 / 975 | 6,0 / 2,2 | 11,8 / 5,66 | 132M | 19300 / 12900 | 270 | 9 / 10 |
| 710/630-4 | 1450 | 11,0 | 17,9 | 132MX | 27500 | 355 | 11 |
| 710/630-6 | 970 | 3,0 | 6,90 | 132S | 18300 | 340 | 12 |
| 710/630-4/6 | 1465 / 975 | 10 / 3,3 | 21,1 / 8,4 | 160M | 27500 / 18300 | 390 | 11 / 12 |
| 800/710-4 | 1460 | 15 | 28,1 | 160L | 39500 | 530 | 13 |
| 800/710-6 | 970 | 5,5 | 12,0 | 132MX | 26000 | 480 | 14 |
| 800/710-4/6 | 1475 / 985 | 16,0 / 5,4 | 30,5 / 13,9 | 180M | 39500 / 26000 | 580 | 13 / 14 |
| 900/800-6 | 970 | 11,0 | 22,4 | 160L | 37000 | 665 | 15 |
| 900/800-8 | 720 | 5,5 | 12,4 | 160MX | 27500 | 640 | 16 |
| 900/800-6/8 | 970 / 730 | 11,0 / 5,0 | 23,0 / 14,0 | 180L | 37000 / 27500 | 690 | 15 / 16 |
| 1000/900-6 | 970 | 11,0 | 22,9 | 160L | 41000 | 770 | 19 |
| 1000/900-8 | 725 | 7,5 | 16,3 | 160L | 38000 | 780 | 18 |
| 1000/900-6x | 975 | 15,0 | 29,8 | 180L | 52000 | 820 | 17 |

Parametri el. motorja lahko odstopajo glede na njegovega proizvajalca.

Parameters of the electric motor can deviate with regard to its producer.

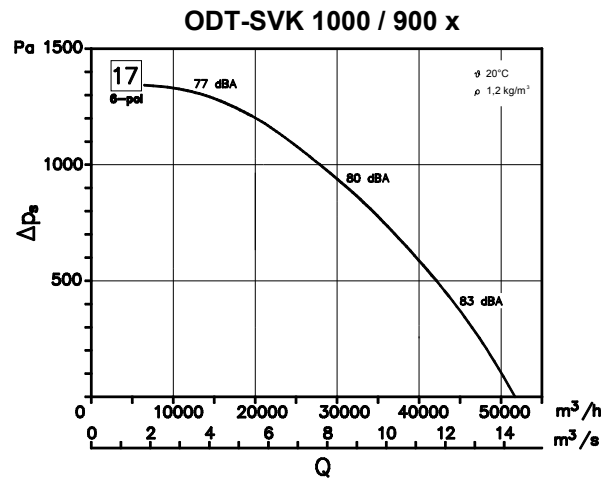
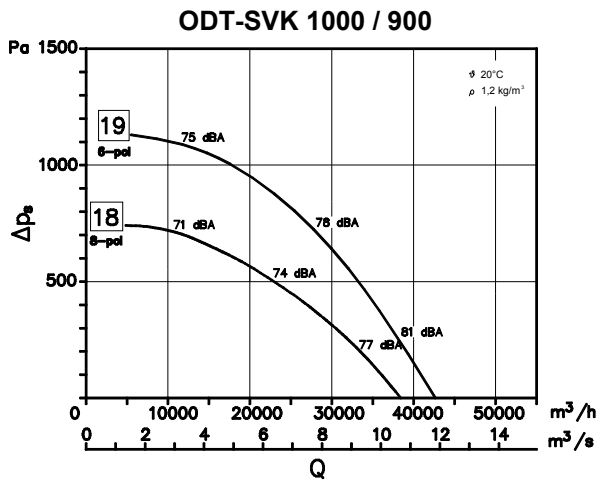
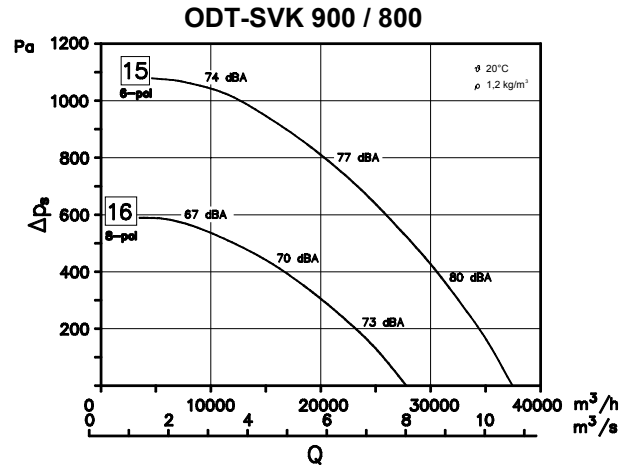
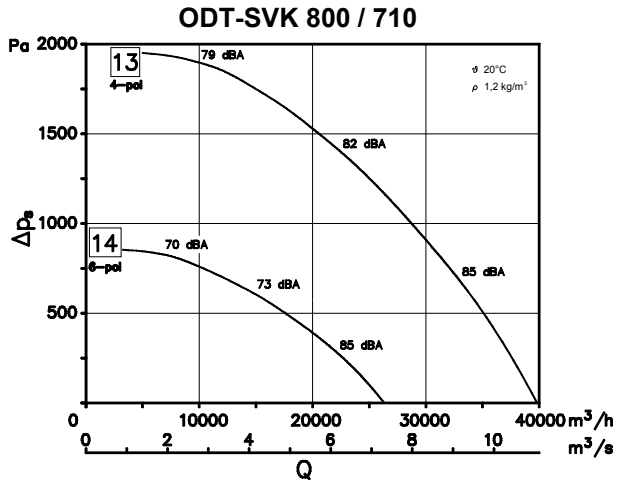
Diagrami

Characteristics



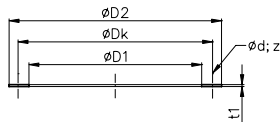
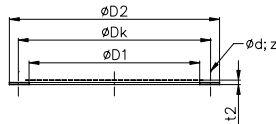
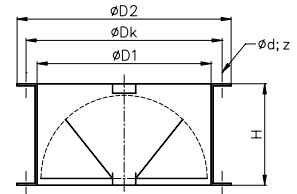
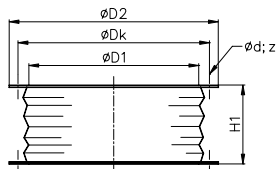
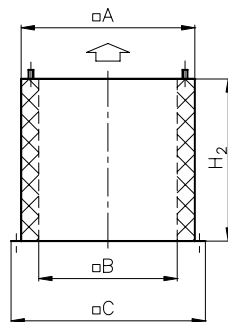
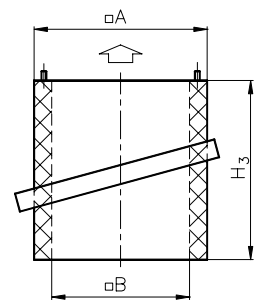
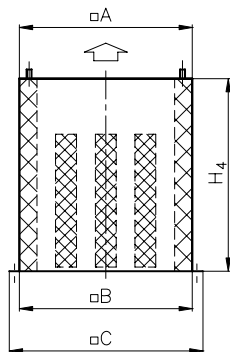
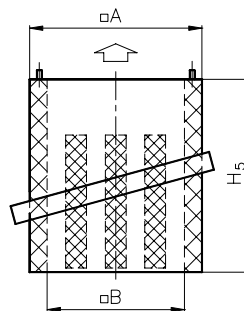
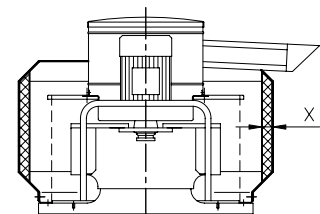
OPOMBA: Podan zvočni tlak L_{pa} [dBA] je merjen bočno, na oddaljenosti 4m!

NOTE: Defined sound pressure L_{pa} [dBA] is measured sideways on 4m distance!



OPOMBA: Podan zvočni tlak L_{pa} [dBA] je merjen bočno, na oddaljenosti 4m!

NOTE: Defined sound pressure L_{pa} [dBA] is measured sideways on 4m distance!

DODATNA OPREMA F400
ACCESSORIES F400
Prirobnica D₁
Flange D₁

Zaščitna mreža D₁
Protective grid D₁

ODT-SL D₁ Samodvižna loputa
ODT-SL D₁ Back draft shutter

ODT-EP D₁ Elastični (jadrovinski) priključek
ODT-EP D₁ Flexible (cloth) coupling

ODT-PR D_N/D₁ Izolirani podstavek za ravno streho
ODT-PR D_N/D₁ Isolated upstand for horizontal roof

ODT-PS D_N/D₁ Izolirani podstavek za poševno streho
ODT-PS D_N/D₁ Isolated upstand for inclined roof

ODT-PRG D_N/D₁ Podstavek z dušilcem za ravno streho
ODT-PRG D_N/D₁ Upstand silencer for horizontal roof

ODT-PSG D_N/D₁ Podstavek z dušilcem za poševno streho
ODT-PSG D_N/D₁ Upstand silencer for inclined roof

IZO D_N/D₁ Zvočno izoliran okrov ventilatorja
IZO D_N/D₁ Sound insulated fan housing


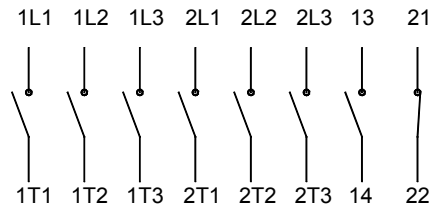
| ODT-SVK D _N /D ₁ | ØD ₁ | ØD ₂ | ØD _k | Ød;z | H | H ₁ | t ₁ | t ₂ | □A | □B | □C | H ₂ | H ₃ | H ₄ | H ₅ | X |
|---|-----------------|-----------------|-----------------|--------|-----|----------------|----------------|----------------|------|------|------|----------------|----------------|----------------|----------------|----|
| 400 / 315 | 315 | 382 | 356 | Ø10x8 | 180 | 120 | 6 | 9 | 548 | 440 | 645 | 400 | 750 | 750 | 750 | 20 |
| 450 / 400 | 400 | 464 | 438 | Ø10x6 | 220 | 120 | 6 | 9 | 614 | 505 | 720 | 400 | 800 | 800 | 800 | 20 |
| 500 / 450 | 450 | 513 | 487 | Ø10x6 | 250 | 120 | 6 | 9 | 694 | 585 | 800 | 400 | 850 | 850 | 850 | 20 |
| 560 / 500 | 500 | 567 | 541 | Ø10x6 | 280 | 150 | 6 | 9 | 780 | 670 | 900 | 400 | 900 | 900 | 900 | 20 |
| 630 / 560 | 560 | 639 | 605 | Ø12x8 | 310 | 150 | 6 | 9 | 880 | 770 | 996 | 400 | 950 | 950 | 950 | 20 |
| 710 / 630 | 630 | 708 | 674 | Ø12x8 | 350 | 150 | 6 | 9 | 980 | 870 | 1134 | 500 | 950 | 1250 | 1250 | 50 |
| 800 / 710 | 710 | 785 | 751 | Ø12x8 | 400 | 150 | 6 | 9 | 1100 | 990 | 1254 | 500 | 950 | 1300 | 1300 | 50 |
| 900 / 800 | 800 | 871 | 837 | Ø12x12 | 430 | 150 | 6 | 10 | 1230 | 1120 | 1384 | 500 | 950 | 1350 | 1350 | 50 |
| 1000 / 900 | 900 | 968 | 934 | Ø12x12 | 500 | 150 | 6 | 10 | 1380 | 1270 | 1534 | 500 | 950 | 1450 | 1450 | 50 |

STS6 Servisno stikalo

6 polno servisno stikalo z dvema krmilnima kontaktoma.

STS6 Maintenance switch

6 pole maintenance switch with 2 auxiliary contacts.



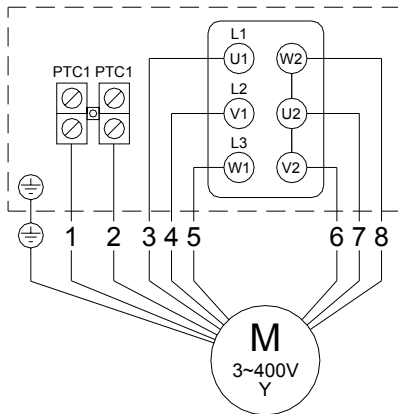
| Tip Type | P _n [kW] | I _n [kW] | L x B x H [mm] | ODT SVK2 stikalo vgrajeno ali ločena dobava switch installed or separate delivery | ODT SVK ločena dobava separate delivery |
|------------|---------------------|---------------------|-----------------|--|--|
| STS6 - 5,5 | 5,5 | 20 | 120 x 85 x 107 | 400/315 450/400 500/450 560/500 630/560 710/630 - 6S 710/630 - 6 800/710 - 6 900/800 - 8 | 400/315 450/400 500/450 560/500 630/560 710/630-6 800/710-6 900/800-8 1000/900-8 |
| STS6 - 7,5 | 7,5 | 25 | 190 x 100 x 110 | 710/630 - 4S 1000/900 - 8 | 1000/900-8 |
| STS6 - 11 | 11 | 32 | 190 x 100 x 110 | 710/630 - 4/6S 710/630 - 4/8S 710/630 - 4 900/800 - 6 | 710/630-4 710/630-4/6 900/800-6 900/800-6/8 1000/900-6 |
| STS6 - 15 | 15 | 40 | 250 x 145 x 124 | 710/630 - 4/6 710/630 - 4/8 800/710 - 4S 800/710 - 4/6S 800/710 - 4/8S 1000/900 - 6 | 800/710-4 800/710-4/6 1000/900-6x |
| STS6 - 22 | 22 | 63 | 250 x 145 x 124 | 800/710 - 4 1000/900 - 6L | |

VEZALNE SCHEME

Vezava trifaznega IEC elektromotorja

Motor Δ 3~230V / Y 3~400V do 2,2 kW, ena hitrost

Vezava Y 3~400V - direktni zagon ali FP 3~400V
Connection Y 3~400V - direct start up or FC 3~400V

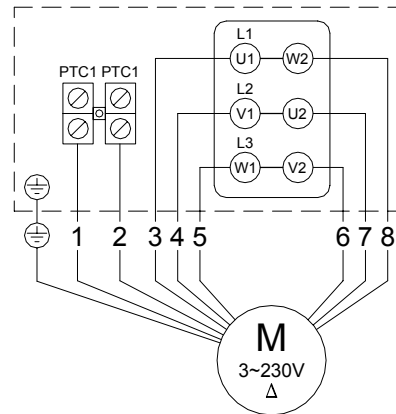


WIRING DIAGRAMS

Wiring of IEC three phase electromotor

Motor Δ 3~230V / Y 3~400V up to 2,2 kW, single speed

Vezava Δ 3~230V – za frekvenčni pretvornik 230V
Connection Δ 3~230V for frequency converter 230V

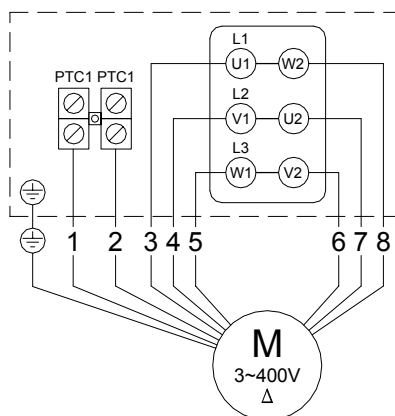


Motor Δ 3~400V / Y 3~690V nad 3,0 kW, ena hitrost

Motor 3~400V / Y 3~690V over 3,0 kW, single speed

Vezava Δ 3~400V

- direktni zagon
- frekvenčni pretvornik 3~400V
- nad 7,5 kW priporočamo zagon Y/ Δ , tiristorški zagon ali frekvenčni pretvornik



Connection Δ 3~400V

- Direct start up.
- Frequency converter 3~400V.
- Over 7,5kW it is recommended to start with Y/ Δ , electronic soft start or frequency converter.

Dve hitrosti ločeno navitje – vezava Y/Y

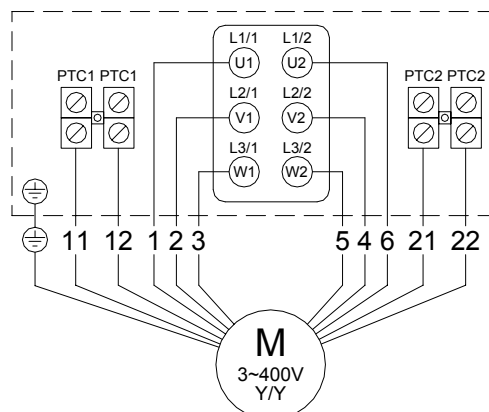
4/6 in 6/8 polni el. motorji

Two speeds separate windings – Y/Y connection

4/6 and 6/8 pole el. motors

Vezava – mala hitrost:
Connection – low speed:

L1/1 – U1
L2/1 – V1
L3/1 – W1

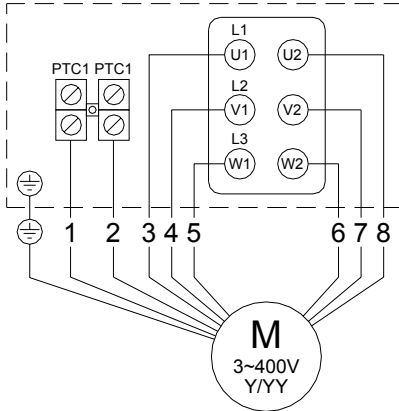


Vezava – velika hitrost:
Connection – high speed:

L1/2 – U2
L2/2 – V2
L3/2 – W2

Dve hitrosti Dahlander – vezava Y/YY – mala hitrost
Two speeds Dahlander – Y/YY connection – low speed

4/8 pole two speed motors
 4/8 pole two speed motors

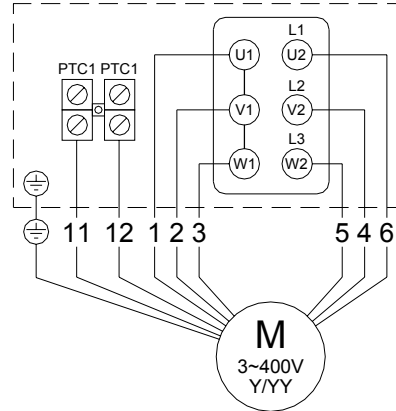


Vezava:
 Connection:

L1 – U1
 L2 – V1
 L3 – W1

Two speeds Dahlander – Y/YY connection – velika hitrost
Two speeds Dahlander – Y/YY connection – high speed

4/8 pole two speed motors
 4/8 pole two speed motors



Vezava:
 Connection:

L1 – U2
 L2 – V2
 L3 – W2

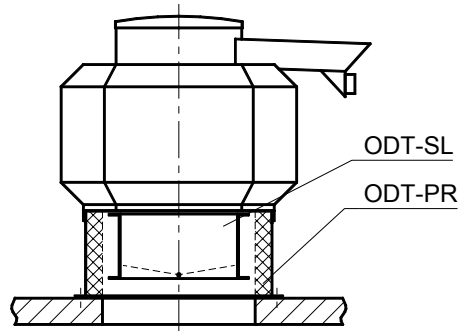
Mostički:
 Bridges:

U1 – V1
 V1 – W1

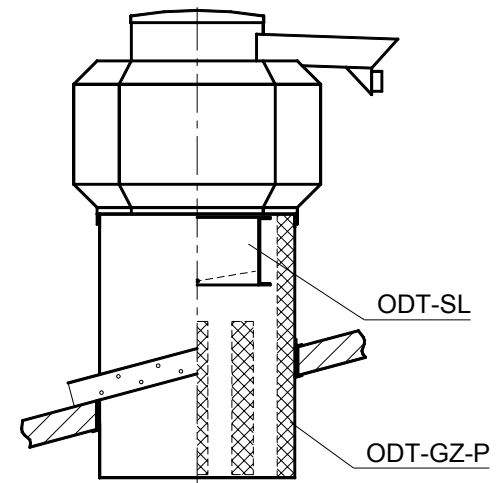
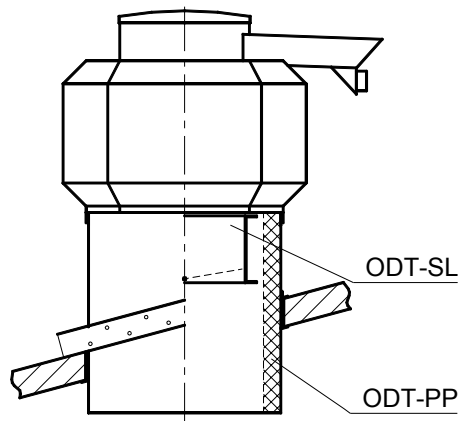
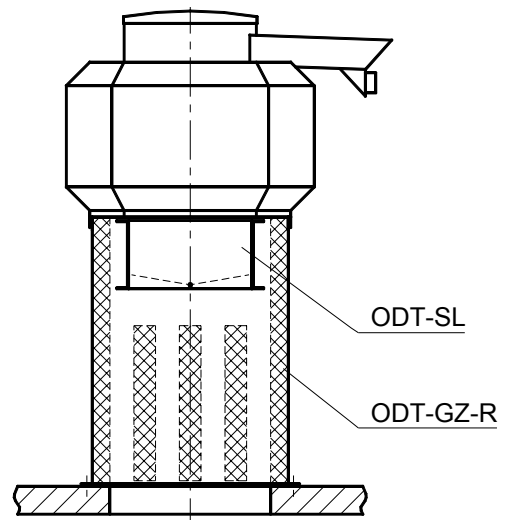
Načrt vezave za vsak ventilator je priložen v priključni dozi.

Wiring diagram for each fan is attached in the fan terminal box.

PRIMERI VGRADNJE



MOUNTING EXAMPLES



Strešni ventilator je izdelan tako, da je brez priključnih elementov že takoj pripravljen za montažo.

Pri montaži je potrebno upoštevati:

- Podstavek mora biti raven, ustreznih dimenzij (glej prospekt) in trdnostno dovolj tog glede na težo ventilatorja.
- Na podstavek je ventilator privijačen s štirimi maticami ali vijaki, ki morajo biti ustrezno tesnjeni.
- Podstavek mora biti pravilno nameščen in pritrjen na streho ali ploščo ter pravilno hidroizoliran, da se prepreči vstop vode v stavbo (ni prikazano!).
- Upoštevati je potrebno temperaturno raztezanje in krčenje, predvsem priključnih elementov.

Roof fan is designed so, that it is ready for mounting without any connection accessories.

Following points have to be considered by mounting:

- Upstand has to be straight, suitable dimensions (see brochure) and stiff enough regarding the weight of the fan.
- It is mounted on the upstand with four nuts or bolts, which have to be suitably sealed.
- Upstand has to be correctly positioned and mounted on roof or plate with suitable hydro-insulation, to prevent entry of water inside a building (not shown!).
- Temperature dilatation has to be considered, especially for accessories.

POPISNI TEKST ODT-SVK2

| Poz. | Kol. | Opis | Cena EUR | Skupaj EUR |
|------|------|--|----------|------------|
| | | <p>Strešni centrifugalni ventilator za odvod dima in toplote z vertikalnim izstopom, ustrezen standardu EN 12101-3, /namenjen tudi prezračevanju ob normalnih razmerah za temperaturo medija do 200°C pri temperaturi okolice do 50°C/. Ventilator je kompaktne jeklene izvedbe s toplotno izoliranim ohišjem elektromotorja in kanalom za dovod hladilnega zraka, barvan z RAL 7040. Zunanji okrov je iz Al pločevine. Rotor z nazaj zakrivljenimi lopaticami je dinamično uravnotežen v klasi G 6,3 po DIN ISO 1940-1. Ventilator je opremljen z eno-hitrostnim /dvo-hitrostnim/, trifaznim elektromotorjem, oblike IM V1, zaščite IP 55, klaso izolacije F in vgrajenimi PTC elementi za termično zaščito pri normalnem obratovanju. Električna priključna omarica je izven toka vročega zraka. Ventilator je vgrajen izven požarne cone.</p> <p>Proizvod: KLIMA CELJE d.d. Tip: ODT-SVK2..... Ustreznost: SIST EN 12101-3 Kategorija: F400 - 400°C / 120 min /F300.../</p> <p>Tehnični podatki pretok q..... m³/s statični tlak Δp..... Pa temperatura okolice t..... °C moč elektromotorja P..... kW vrtljaji elektromotorja n..... min⁻¹ napetost U..... V nazivni tok I..... A frekvenca f..... Hz</p> <p>Dodatna oprema </p> | | |

SPECIFICATION ODT-SVK2

| Pos. | Qty. | Subject | Price EUR | Sum EUR |
|------|------|---|-----------|---------|
| | | <p>Roof fan for smoke and heat extraction with vertical outlet, conformance with norm EN 12101-3, /also for ventilation at normal conditions for media temperature up to 200°C at max. ambient temperature 50°C/. Fan has compact steel construction, isolated electromotor housing with duct for cooling air. It is painted with RAL 7040. External casing is made from Al sheet metal. Back-curved impeller is statically and dynamically balanced in class G 6.3 by DIN ISO 1940-1. Fan is equipped with standard one-speed /two-speed/ three-phase electromotor form IM V1, IP 55 protection, isolation class F and PTC sensors for every day operation. Fan terminal box is outside of the hot air flow. Fan is mounted outside of fire zone.</p> <p>Producer: KLIMA CELJE d.d. Type: ODT-SVK2..... Conformity to: SIST EN 12101-3 Category: F400 - 400°C / 120 min /F300.../</p> <p>Technical data flow rate q..... m³/s static pressure Δp..... Pa temperature t..... °C EM power P..... kW RPM n..... min⁻¹ voltage U..... V nominal current I..... A frequency f..... Hz</p> <p>Accessories </p> | | |

**POPISNI TEKST ODT-SVK**

| Poz. | Kol. | Opis | Cena EUR | Skupaj EUR |
|------|------|---|----------|------------|
| | | <p>Strešni centrifugalni ventilator za odvod dima in toplote z vertikalnim izstopom, ustrezen standardu EN 12101-3, /namenjen tudi prezračevanju ob normalnih razmerah za temperaturo medija do 200°C pri temperaturi okolice do 50°C/. Ventilator je kompaktne jeklene izvedbe s toplotno izoliranim ohišjem elektromotorja in kanalom za dovod hladilnega zraka, barvan z RAL 7040. Zunanji okrov je iz Al pločevine. Rotor z nazaj zakrivljenimi lopaticami je dinamično uravnotežen v klasi G 6,3 po DIN ISO 1940-1. Ventilator je opremljen z eno-hitrostnim /dvo-hitrostnim/, trifaznim elektromotorjem, oblike IM V1, zaščite IP 55, klaso izolacije F in vgrajenimi PTC elementi za termično zaščito pri normalnem obratovanju. Električna priključna omarica je izven toka vročega zraka. Ventilator je vgrajen izven požarne cone.</p> <p>Proizvod: KLIMA CELJE d.d. Tip: ODT-SVK..... Ustreznost: SIST EN 12101-3 Kategorija: 600°C / 120 min /F600 - 600°C / 60 min/</p> <p>Tehnični podatki pretok q..... m³/s statični tlak Δp..... Pa temperatura okolice t..... °C moč elektromotorja P..... kW vrtljaji elektromotorja n..... min⁻¹ napetost U..... V nazivni tok I..... A frekvenca f..... Hz</p> <p>Dodatna oprema </p> | | |

SPECIFICATION ODT-SVK

| Pos. | Qty. | Subject | Price EUR | Sum EUR |
|------|------|---|-----------|---------|
| | | <p>Roof fan for smoke and heat extraction with vertical outlet, conformance with norm EN 12101-3, /also for ventilation at normal conditions for media temperature up to 200°C at max. ambient temperature 50°C/. Fan has compact steel construction, isolated electromotor housing with duct for cooling air. It is painted with RAL 7040. External casing is made from Al sheet metal. Back-curved impeller is statically and dynamically balanced in class G 6.3 by DIN ISO 1940-1. Fan is equipped with standard one-speed /two-speed/ three-phase electromotor form IM V1, IP 55 protection, isolation class F and PTC sensors for every day operation. Fan terminal box is outside of the flow of hot air. Fan is mounted outside of fire zone.</p> <p>Producer: KLIMA CELJE d.d. Type: ODT-SVK..... Conformity to: SIST EN 12101-3 Category: 600°C / 120 min /F600 - 600°C / 60 min/</p> <p>Technical data flow rate q..... m³/s static pressure Δp..... Pa temperature t..... °C EM power P..... kW RPM n..... min⁻¹ voltage U..... V nominal current I..... A frequency f..... Hz</p> <p>Accessories </p> | | |



Preizkus SVK v laboratoriju TU München
Test SVK in TU München lab



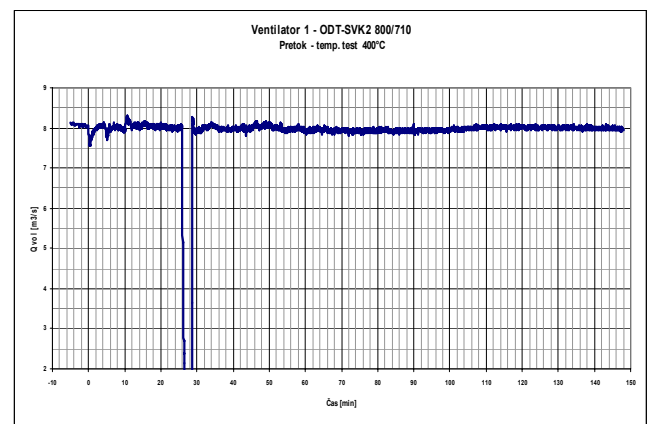
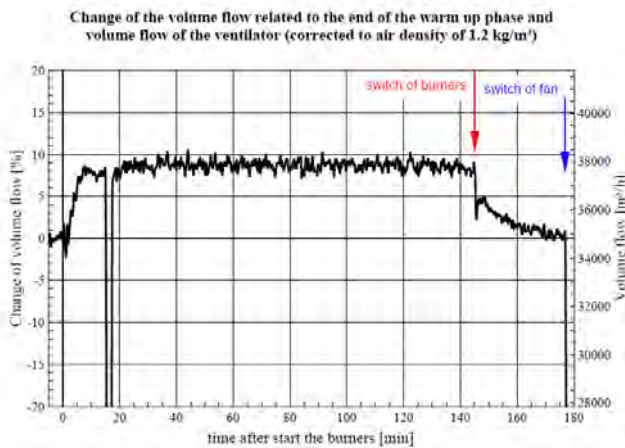
Temperaturni test ventilatorja SVK2 in dodatne opreme
Temperature test SVK2 with accessories
ZAG, Ljubljana 18.11.2011



ODT-SVK 630-4 po požarnem preizkusu iz 11.07.2006
ODT-SVK 630-4 after fire test from 11.07.2006



ODT-SVK2 800/710-4 tekač po požarnem preizkusu
ODT-SVK2 800/710-4 impeller after fire test



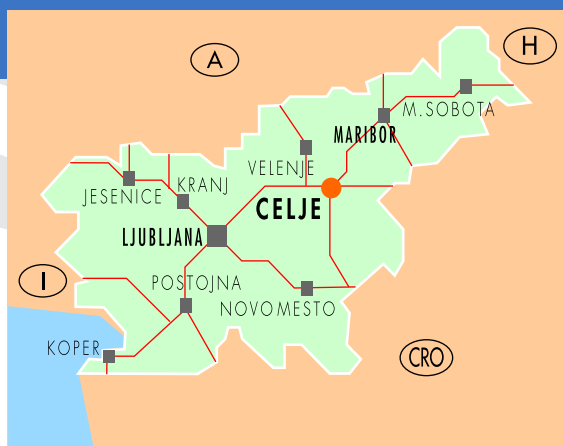
Pridržujemo si pravico sprememb brez predhodnega obvestila.

We reserve the right to changes without prior notice.



klima celje

INDUSTRIJA AEROTERMIČNIH NAPRAV D.D.



Klima Celje d.d.
Delavska ulica 5
3000 CELJE
SLOVENIJA

<http://www.klima-celje.si>
e-mail: info@klima-celje.si

tel. +386 (0) 3 427 92 00
fax: +386 (0) 3 427 92 40