

Circular transfer unit

ÖLR



Description

The unit consists of a pressed front plate, with internal sound insulation for low noise levels. Supplied as standard with mounting frame.

Sizes

Ø100-160

Airflow range

72 - 198 m³/h (20-55 l/s), See the diagrams below for further information.

Material & finish

The front plate is made of pressed sheet steel, and contains a cleanable Therwoolin coated sound absorbing insulation. The unit is powder coated in standard RAL9003 color.

Mounting - Accessories

After fixing the mounting frame in the airduct/wall opening, push the ÖLR transfer unit on the frame until it clicks.

Main features

- Transfer unit with a circular design
- Low sound levels
- Aesthetic appearance
- Easy to mount

T.1. Quick selection

| Size (mm) | Airflow (l/s) [m ³ /h] at | | |
|-----------|--------------------------------------|----------|----------|
| | 10 Pa | 15 Pa | 20 Pa |
| 100 | 20 [72] | 24 [86] | 28 [101] |
| 125 | 25 [90] | 31 [112] | 35 [126] |
| 160 | 40 [144] | 47 [169] | 55 [198] |
| 160 XL | 40 [144] | 47 [169] | 55 [198] |

Intallation and maintenance

⚠ Attention!

Please read the instructions carefully before installation. Special attention has to be paid to the parts marked with the symbol above.

Application

The product is designed for air transfer between spaces, so the product is delivered in pairs including mounting frames.

Installation

⚠ - Take care when unpacking and assembling, do not use tools that can scratch or damage the product surface.

- The product is mounted in pairs with the help of the mounting frames.

- Mounting frames are mounted on both side of the wall, on the wall openings (the inner diameter of the frame corresponds with the diameter of the wall opening) ØD.

⚠ - Each frame part is marked with an arrow symbol. The arrow is pointing to the ceiling for a proper wall mounting, see Fig. 1.

- The center line of the frame (horizontal position), is marked with two „>” -shaped signs for easier marking during hole-making and drilling, Fig. 1-a.

- The frame parts are produced with foldable tabs that can be adjusted according to the thickness of the wall, see Fig. 1-b.

- The tab is folded over the plasterboard, Fig. 1-c.

- The frame part is secured with screws (not included) via the pre-drilled holes, Fig. 1-d.

⚠ - For safe installation, the length of the screw must be selected so that the screw goes through the folded tab slot too and tighten the frame part to the plaster wall, Fig. 1-e.

- For simple gypsum wall 20 mm, and for double gypsum wall 30 mm long screws are recommended.

- The front part is hooked into the bracket of the mounting frame and can be locked (if necessary, e.g. ceiling mounting), see Fig. 2, ØD.

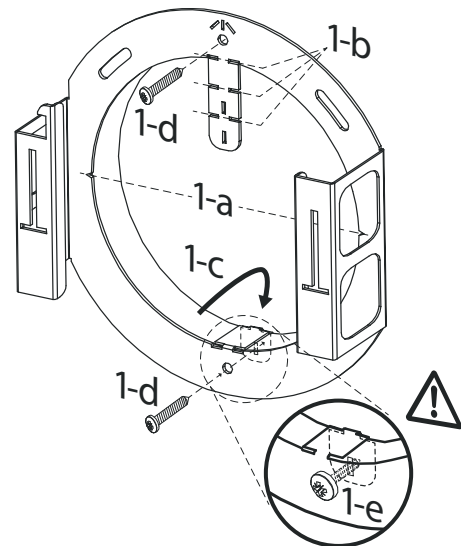


Figure 1.
The frame has to be mounted to the wall with the help of the foldable tabs, and be secured with long screws going through the pre-drilled holes of the frame and the tabs.

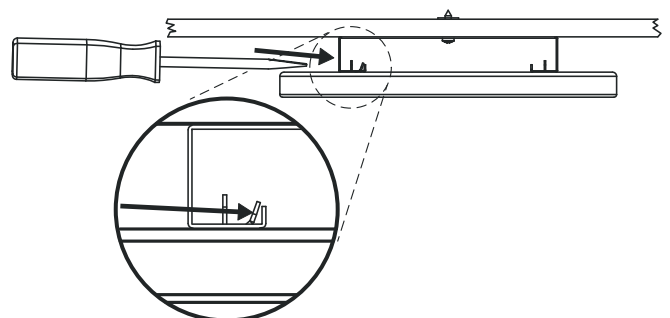


Figure 2.
The front can be secured to the mounting frame by a locking function. The tab in the back of the front can be pressed against the mounting frame by a screwdriver.

Technical data

T.2. Maximum airflow

| Size | Maximum airflow (l/s) [m³/h] | | |
|--------|------------------------------|----------|----------|
| | 10 Pa | 15 Pa | 20 Pa |
| 100 | 20 [72] | 24 [86] | 28 [101] |
| 125 | 25 [90] | 31 [112] | 35 [126] |
| 160 | 40 [144] | 47 [169] | 55 [198] |
| 160 XL | 39 [140] | 46 [166] | 54 [194] |

T.3. Sound attenuation dB

| Size | R _w (dB) | |
|--------|---------------------|-------|
| | 1 m² | 10 m² |
| 100 | +37 | +47 |
| 125 | +35 | +45 |
| 160 | +29 | +39 |
| 160 XL | +32 | +42 |

Tol. ± 3 dB

T.4. Correction K₀ dB

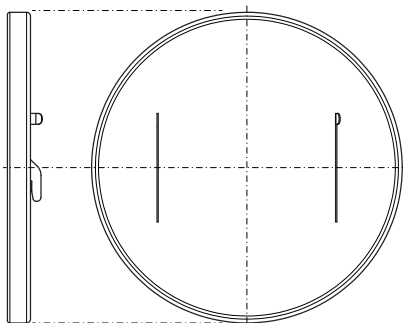
| Size | Medium frequency (Hz) | | | | | |
|------|-----------------------|-----|-----|------|------|------|
| | 125 | 250 | 500 | 1000 | 2000 | 4000 |
| 100 | | | | | | |
| 125 | +4 | +2 | 0 | -3 | -12 | -20 |
| 160 | | | | | | |

Tol. ± 3 dB

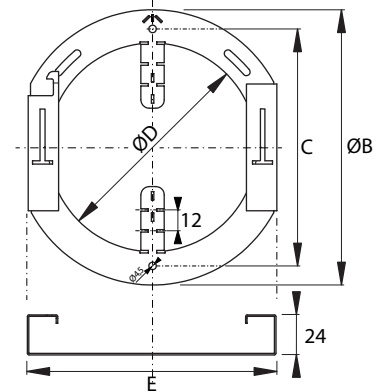
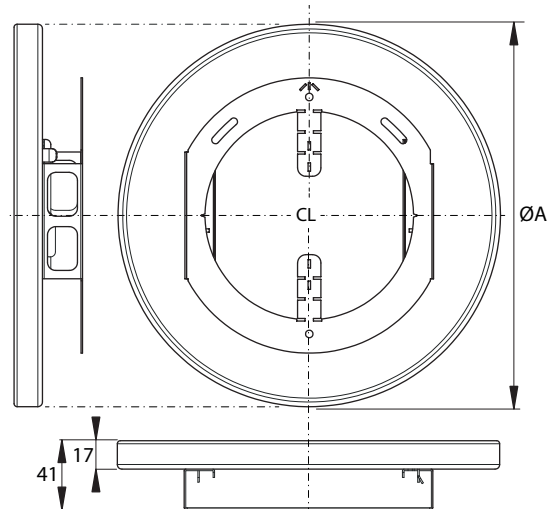
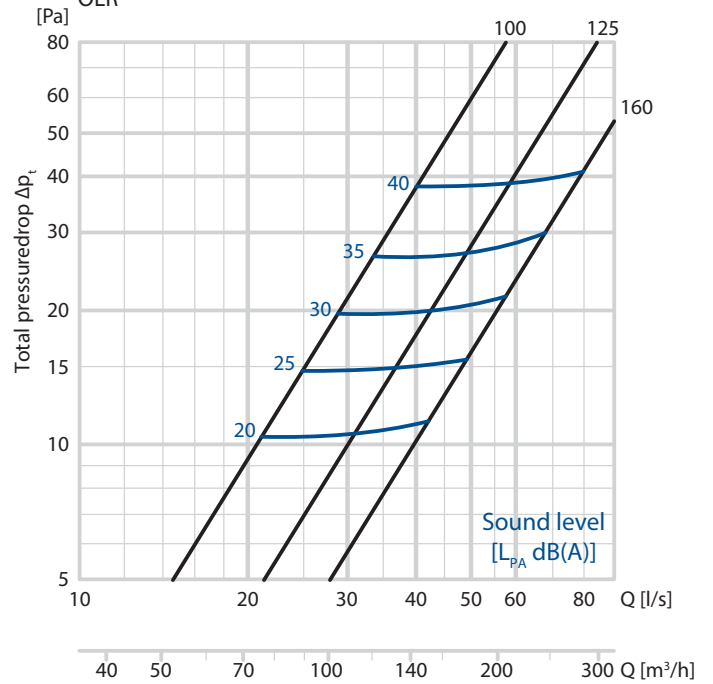
Dimensions

T.5. ÖLR

| Size | Sizes (mm) | | | | | Weight (kg) | |
|--------|------------|-----|-----|-----|-----|-------------|------|
| | ØA | ØB | C | ØD | E | ÖLR | RAM |
| 100 | 230 | 165 | 117 | 100 | 149 | 0,75 | 0,25 |
| 125 | 230 | 165 | 142 | 125 | 149 | 0,75 | 0,20 |
| 160 | 230 | 200 | 177 | 160 | 189 | 0,75 | 0,25 |
| 160 XL | 283 | 200 | 177 | 160 | 189 | 1,05 | 0,25 |



D.1. ÖLR



Specification

| | |
|------------------|-----------------------------|
| Ordering code: | XXX -XXX |
| Product name: | ÖLR |
| Size (Ø): | 100 125 160 160 XL |
| Example: ÖLR 160 | |

ÖLR transfer unit is sold in pairs.