



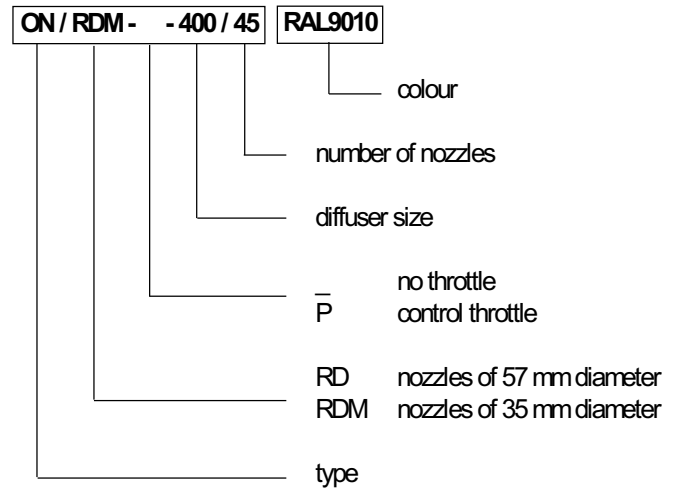
DESCRIPTION

ON/RD and ON/RDM are round ceiling diffusers with adjustable round nozzles. They are equipped with an expansion box with side connection and are designed for low- and medium-pressure installations in ceilings in visible places. Nozzles of diameter sizes 57 mm (RD) and 35 mm (RDM) are ended with sinusoidal outlets that allows for high air diffusion. They can be used with constant and variable airflow. The air can be supplied at the temperature lower or higher than the temperature in the ventilated room.

FEATURES

- adjustable airflow stream shape (360°)
- easy dispersion of vertical stream
- possible to swirl the stream
- possible simultaneous vertical and horizontal ventilation
- high induction factor
- nozzles are made of high-quality ABS material, and painted standard white
- all diffusers use nozzles of 35mm (RDM) and 57 mm (RD) diameter; single nozzle capacity of 6 and 9 m³/h with acoustic pressure of 30 dB (A)
- installation in uncovered ceilings systems
- available in standard RAL 9010 colour
- upon customer's request, can be made available in any size and colour from RAL palette

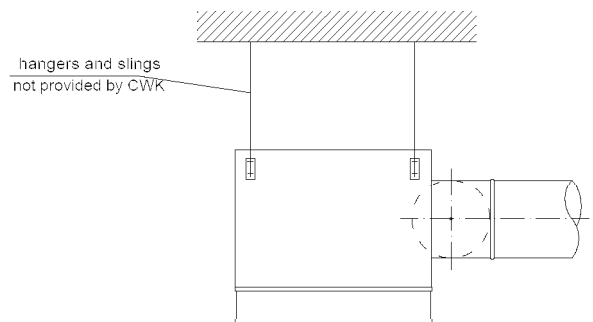
ORDER REFERENCE



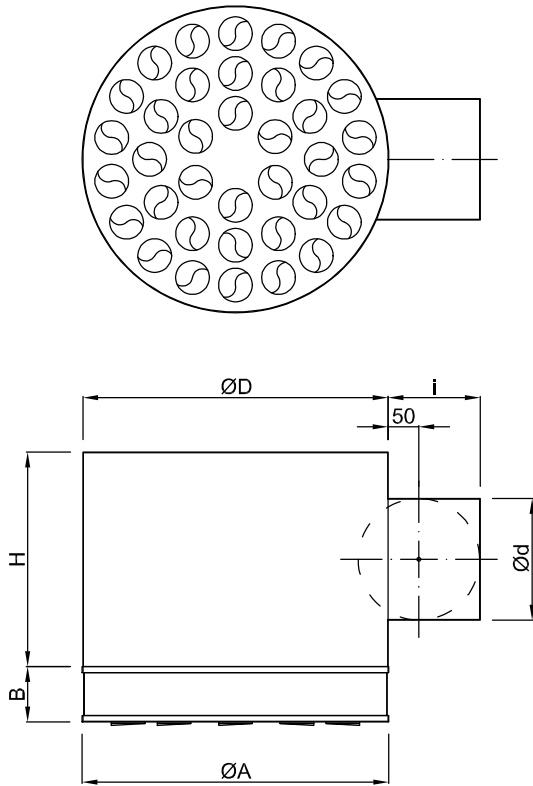
INSTALLATION

ON/RD and ON/RDM diffusers are designed for installation in uncovered ceilings systems. The diffusers should be mounted onto the ceiling by appropriate hangers (bars, pins...) and installation slings.

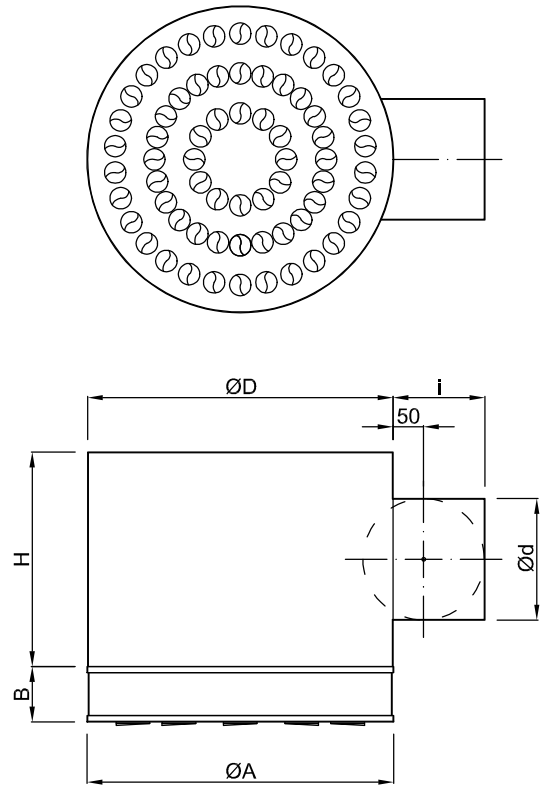
Upon customer's request, boxes can be equipped with factory slings.



Diffusers ON/RD



Diffusers ON/RDM



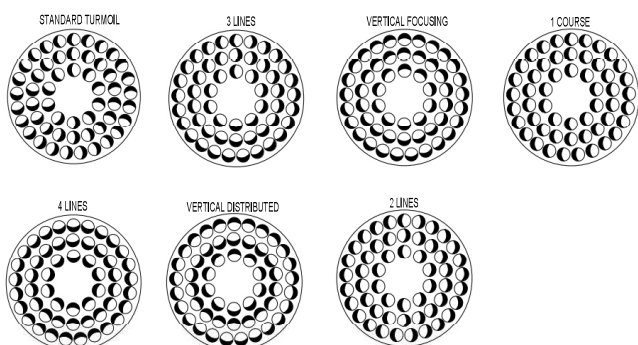
STANDARD SIZES

Size	300	400	500	600	700	700
ØA [mm]	300	400	500	600	700	700
B [mm]	60	60	90	90	90	90
Ød [mm]	98	123	158	198	248	313
ØD [mm]	298	398	498	598	698	698
H [mm]	275	300	350	400	450	450
i [mm]	115	130	150	175	200	200
number of nozzles	14	21	36	50	77	77

STANDARD SIZES

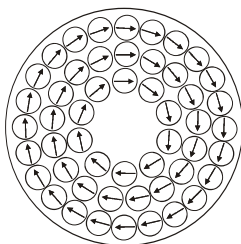
Size	300	400	500	600	700	700
ØA [mm]	300	400	500	600	700	700
B [mm]	60	60	90	90	90	90
Ød [mm]	98	123	158	198	250	313
ØD [mm]	298	398	498	598	698	698
H [mm]	275	300	350	400	450	450
i [mm]	115	130	150	175	200	200
number of nozzles	28	45	76	108	143	143

Ability to configure the diffuser nozzles



CWK Ltd. reserves the right to introduce changes in technical data

Set the nozzle Setting the standard



With a standard arrangement of nozzles for supplying the temperature should not be lower than the room temperature more than 14°C.

m_2 = error of the method according to the report NVG T32:1982

interfering element	Required distance	
	$m_2 = 5\%$	$m_2 = 10\%$
Knee 90°	3 · Ød	2 · Ød
Two knees 90°	4 · Ød	3 · Ød
Throttle 45°	6 · Ød	3 · Ød
Tee	4 · Ød	3 · Ød

size and painted in any color from the palette RAL

Dimensions stream

Scope and size of the stream shall be determined by a computer program selection - ProAir

Acoustical data ON/RD(M)

Sound power level L_w (dB)

Factor $K_{\alpha K}$

Size	Center frequency band, Hz						
	125	250	500	1000	2000	4000	8000
300	10	11	-3	-8	-18	-24	-26
400	11	10	-4	-8	-15	-23	-26
500	12	10	-2	-7	-16	-24	-26
600	14	8	-1	-6	-15	-23	-25
700	14	7	0	-4	-14	-23	-26
700	14	7	2	-4	-15	-26	-29
Tol +/-	2	2	2	2	2	2	2

Size	Center frequency band, Hz						
	125	250	500	1000	2000	4000	8000
300	13	7	18	17	13	10	11
400	12	8	16	15	12	10	11
500	9	8	14	12	10	10	10
600	7	10	11	10	10	10	11
700	4	8	12	9	9	10	12
700	4	10	11	7	9	9	12
Tol +/-	2	2	2	2	2	2	2

ON/RD, ON/RDM



ceiling diffusers with adjustable nozzles

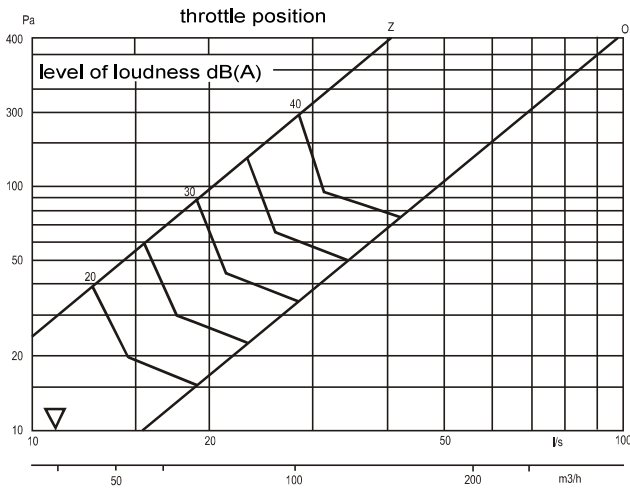
FEATURES

Flow - Pressure drop - Sound level

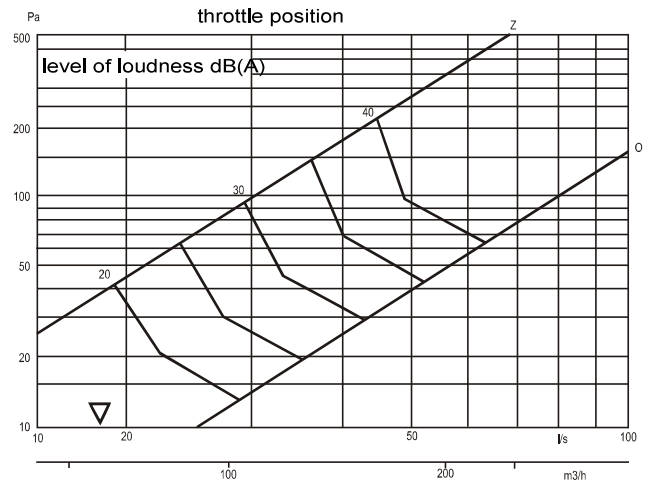
Characteristics can not be used for adjustment.

▽ = Adjustable minimum flow

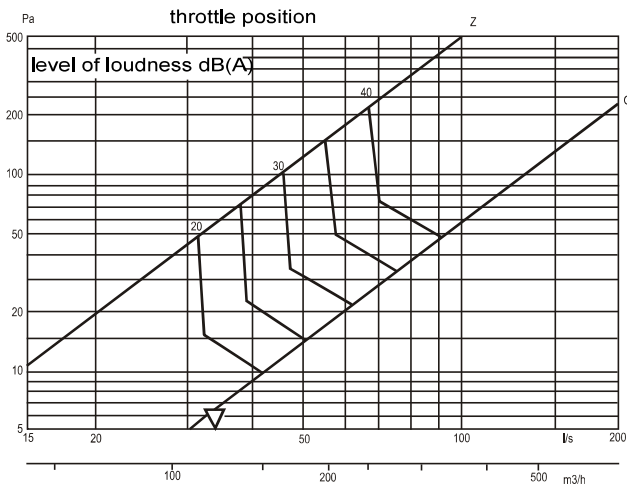
ON/RD(M) 300



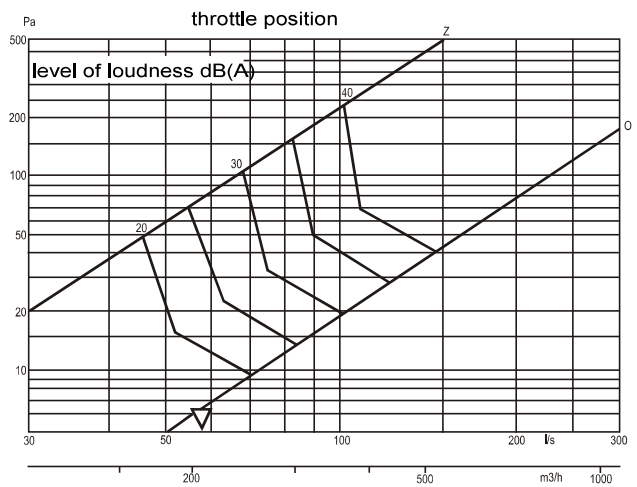
ON/RD(M) 400



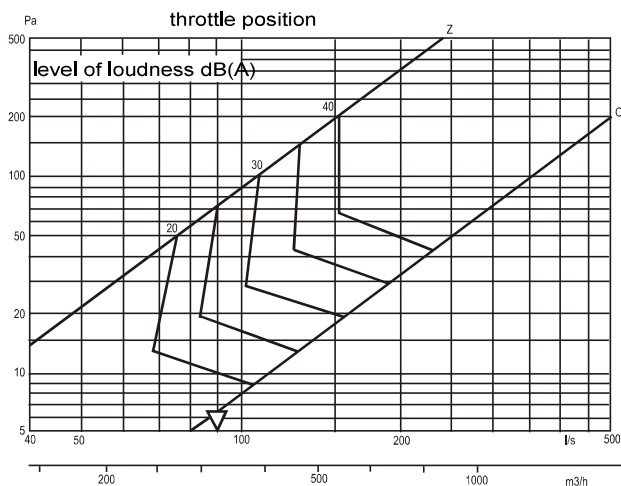
ON/RD(M) 500



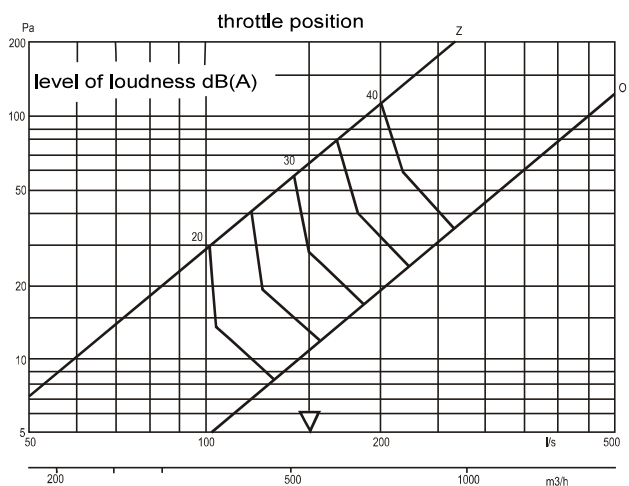
ON/RD(M) 600



ON/RD(M) 700 Ød=248



ON/RD(M) 700 Ød=313



CWK Ltd. reserves the right to introduce changes in technical data