



TECHNIKA

Insulated access doors

PRAV

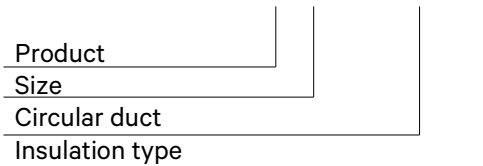


Description

Rectangular insulated access doors are used to install a ventilation system in buildings along with circular ducts. Access doors are used for cleaning and inspection of important elements. Handel for the doors on request. The products can be made of: galvanized steel sheet - corrosion class C3-L / C2-M; sheet with aluminium zinc coating - corrosion class C4-M / C3-H; stainless steel sheet AISI 304 (1.4301) or AISI 316L (1.4404) - corrosion class C5. The construction consists of two parts, a housing and a cover made of 50 mm stone wool covered with fibre glass. The seal is ensured by a closed-cell polyethylene sealing gasket. The door can be installed for outdoor ducts as well. Access door tightness class C according to LST EN 1507. Access door can be used at temperatures from -45 to +85 °C. The maximum permissible absolute humidity inside and outside the air stream is 18 g / kg. For other dimensions and materials please contact UAB „MKTechnika“ sales offices.

Ordering code

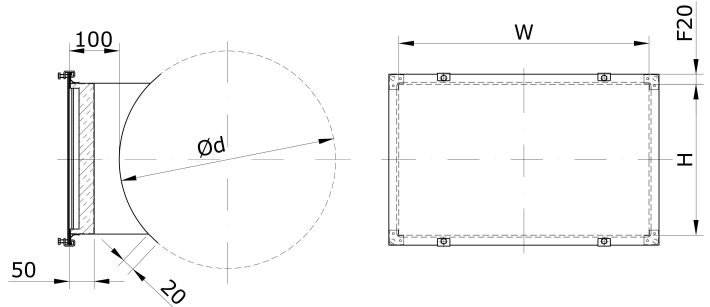
PRAV350450/d400-...IZ



Sample: PRAV350450/d400 – made of galvanized steel, insulated with 50 mm mineral wool, access door, dimensions 350 x 450 mm for circular duct 400mm.

- PRAV..... - standard with 50 mm insulation
- PRAV..... - IZO- no insulation
- PRAV..... - IZ60- with 60 mm insulation
- PRAV..... - IZ100 with 100 mm insulation

Dimensions



Name	H* [mm]	W* [mm]	Mass [kg]
PRAV80350/d100-200	80	350	1,6
PRAV150350/d250-315	150	350	1,9
PRAV350450/d355-500	350	450	3,5
PRAV550450/560-630	550	450	4,6

- * - dimensions of the opening in duct
- * product mass – made of galvanized steel

Technical data

Minimum dimension of access opening in the duct according LST EN 12097 are given below.

Rectangular or oval opening	
Nominal duct dimension D _{ort.} [mm]	Minimum access opening in duct wall w x h [mm]
D _{ort.} ≤ 200	180x80
200 < D _{ort.} ≤ 315	200x100
315 < D _{ort.} ≤ 500	300x200
D _{ort.} > 500	500x300

