

EVC-PY-DA OPTICAL SMOKE DETECTOR 24V

with automatic sensitivity adjustment and service alarm

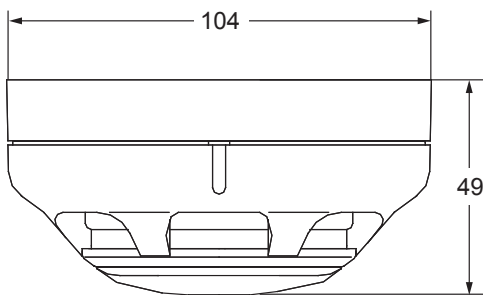


TECHNICAL DATA

Rated voltage:	10-30V DC
Monitoring current:	Approx. 40 μ A (@ 24V)
Alarm current:	Approx. 48 mA (@ 24V)
Service alarm current:	Approx. 13 mA (@ 24V)
Detector head:	White PC with metal net around the chamber
Base:	White PC
Operating temperature:	-10°C to +55°C
Max humidity:	99% rH
Sensitivity:	According to EN-54-7
Tests according to EN-54:	VdS (Germany)
Weight:	ca 150g
Service alarm:	Green LED
Smoke alarm:	Red LED
Protection:	Base IP22

DIMENSIONS

(mm)



Mounting: 2 x M4 screws, 50 / 60 / 70 mm c/c

CHARACTERISTICS

- **Automatic sensitivity adjustment**
 - longer lifespan
 - fewer false alarms
- **Service alarm**

FUNCTION

Smoke detector EVC-PY-DA has been equipped with a new optical chamber and a new light source. Thanks to this, the detector's ability to detect even small particles from the starting phase of a fire has increased drastically. Thanks to this new design, EVC- PY-DA can replace ionising smoke detectors, which have previously been far superior.

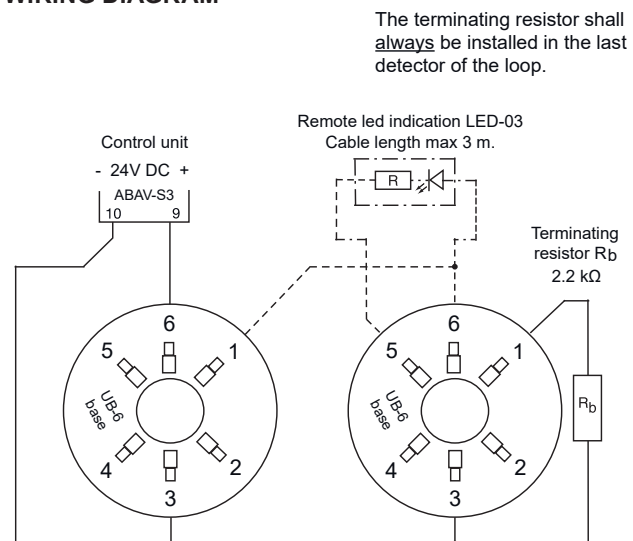
The detection chamber contains a LED and a photodiode. Normally, the light from the LED does not strike the photodiode, but when smoke enters the chamber it reflects the LED beam so that it strikes the photodiode. The current through the photodiode changes and an alarm is triggered.

EVC-PY-DA has an intelligent monitoring circuit that continuously checks and adjusts the sensitivity for optimum functionality during the entire life of the detector. When the detector can no longer compensate for environmental influences, a service alarm is generated.

The design of the detector makes it almost completely immune to high air speeds, dirt and radio frequency interference.

The detector is equipped with a bayonet mount, which makes it easy to fit and remove.

WIRING DIAGRAM



ORDERING EXAMPLE

Article code	Description
EVC-PY-DA	Smoke detector optical service alarm, incl. UB-6 base
EVC-PY-DA/I	Smoke detector optical service alarm
UB-6	Base for smoke detector
STB-4 IP55	Base for smoke detector, IP55
STB-4SE-24VR	Base deep with relay, for smoke detector